



### Naming Rules:

**AK 13 (A)-40 20 SR**

AK: Aluminum alloy, Crossed-roller bearings, High precision

Actuators :  
None: Screw  
A: Micrometer

Thickness:  
20: 20mm

Drive position:  
C: Center drive  
SR: Right drive  
SL: Left drive  
CZ: Center drive in vertical  
RZ: Right drive in vertical  
LZ: Left drive in vertical

Travel :  
13: 13mm  
25: 25mm

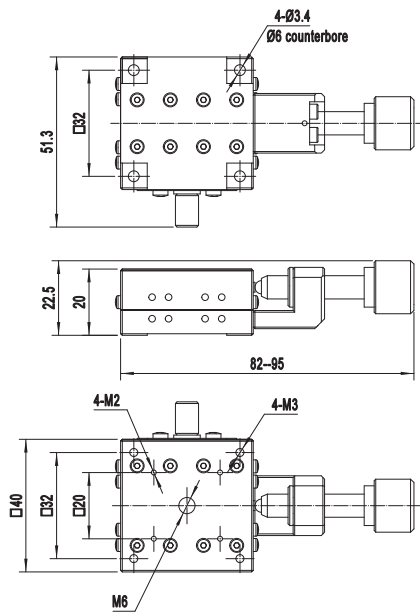
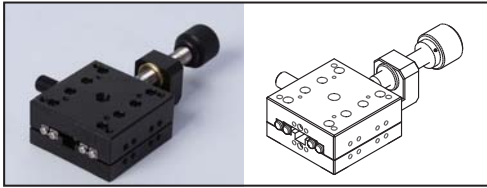
Table Size:  
40: 40mm × 40mm  
60: 60mm × 60mm  
65: 65mm × 65mm  
80: 80mm × 80mm  
100: 100mm × 100mm

### Selection Table:

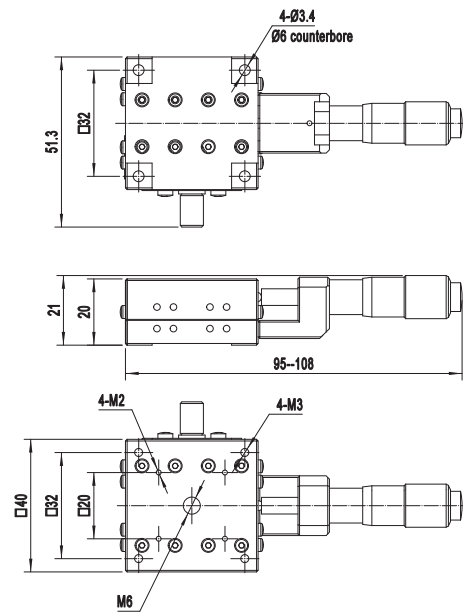
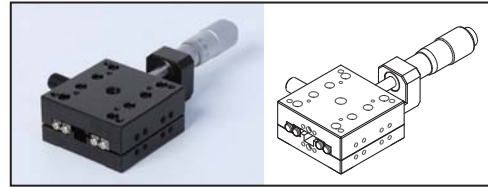
Model	AK13(A)-4020(xx)	AK13(A)-6020(xx)	AK25(A)-6520(xx)	AK25(A)-8020(xx)	AK25(A)-10020(xx)
Travel(mm)	13	13	25	25	25
Table Size(mm)	40×40	60×60	65×65	80×80	100×100
Thickness(mm)	20				
Bearings	Crossed-Roller Bearings				
Actuators	Screw ( A-micrometer)				
Drive Position	C:Center drive,SR:Right drive,SL:Left drive,CZ:Center drive in vertical, RZ:Right drive in vertical,LZ:Left drive in vertical				
Weight(Kg)	0.12	0.25	0.28	0.5	0.7
Sensitivity(µm)	≤2				
Motion parallelism(µm)	≤10				
Straightness (µm)	≤3				
Pitch(°)	≤25				
Yaw(°)	≤15				
Horizontal Load(Kg)	2	5	6	10	15
Vertical Load(Kg)	1	2	2.5	5	7

**Dimensions:**

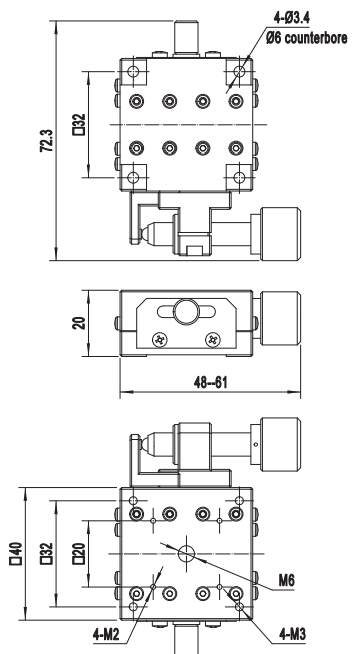
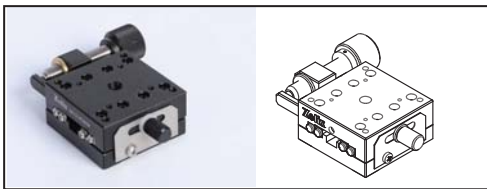
AK13-4020C



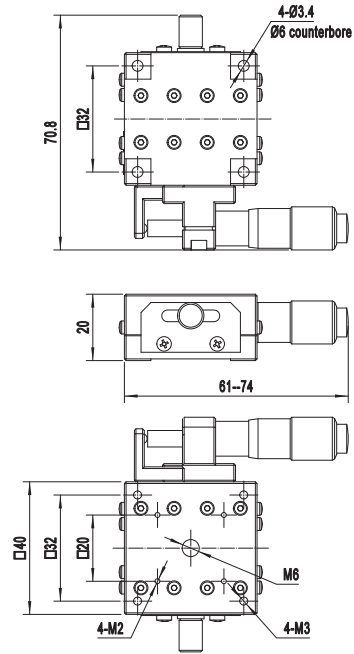
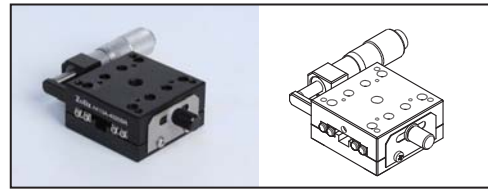
AK13A-4020C



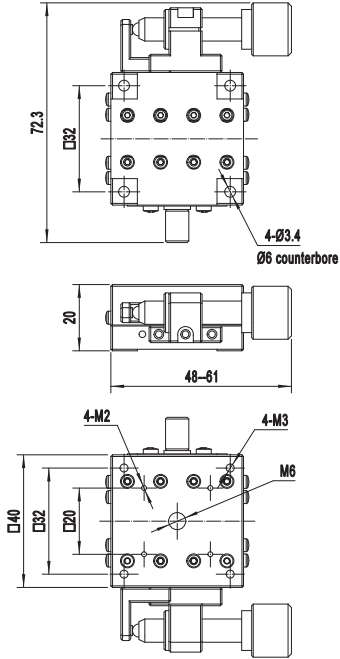
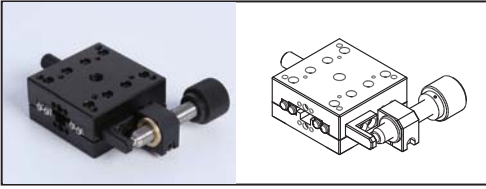
AK13-4020SR



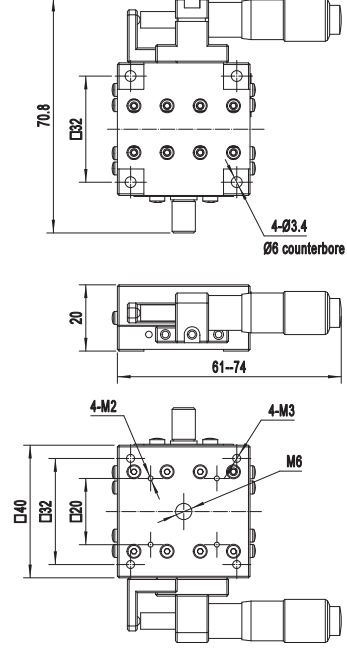
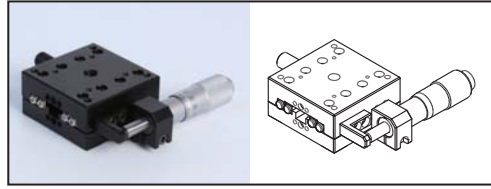
AK13A-4020SR



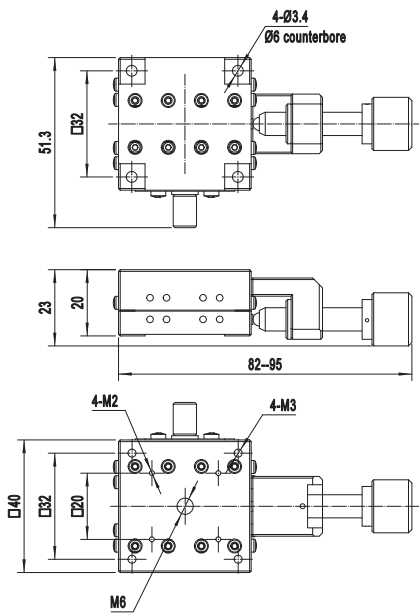
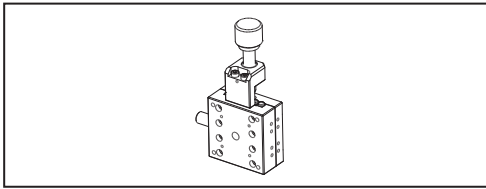
AK13-4020SL



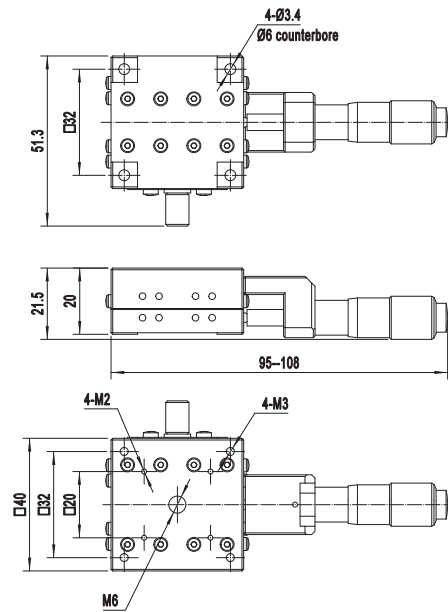
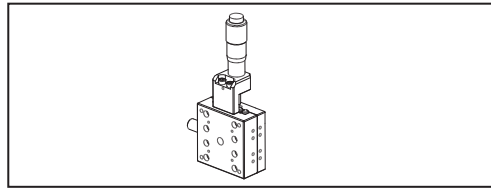
AK13A-4020SL



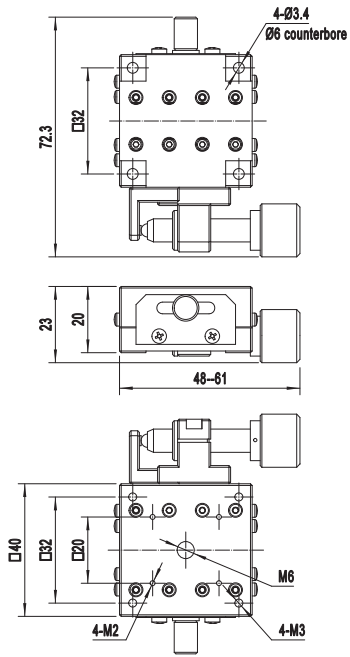
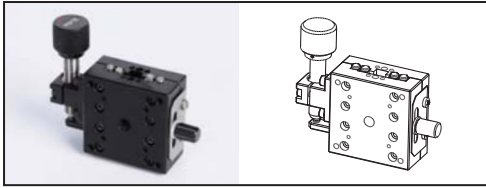
AK13-4020CZ



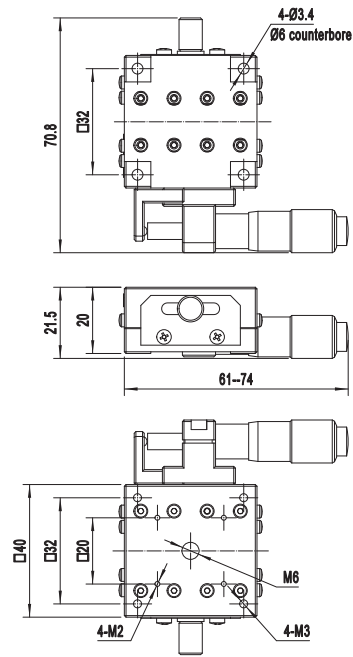
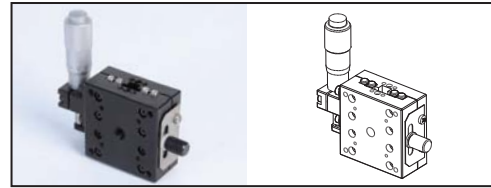
AK13A-4020CZ



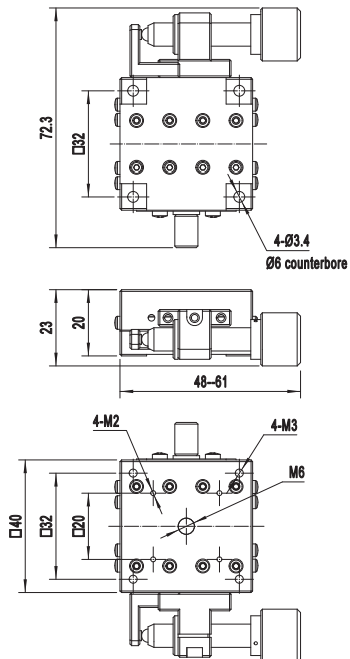
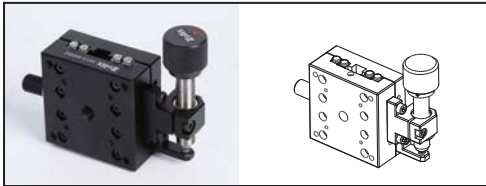
AK13-4020RZ



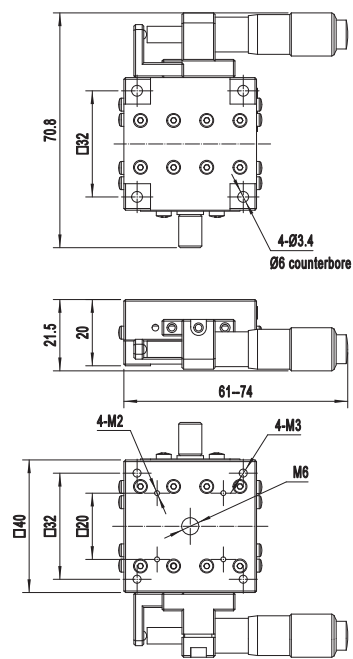
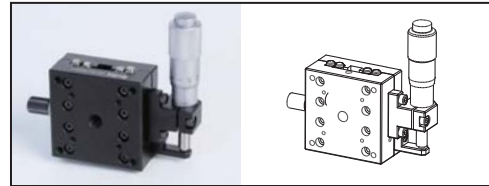
AK13A-4020RZ



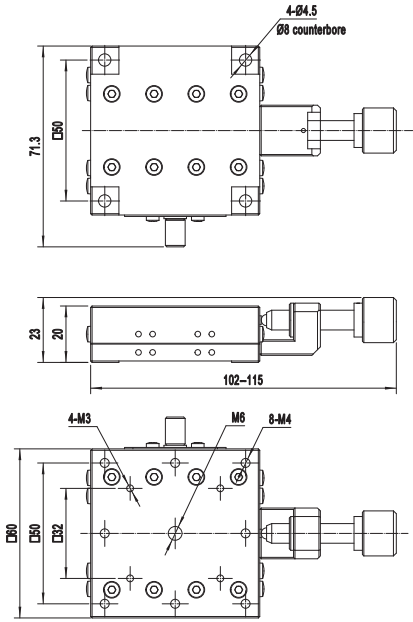
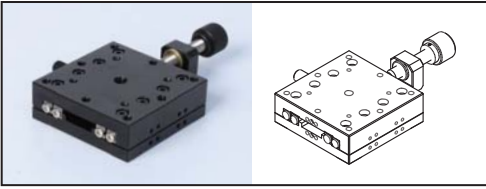
AK13-4020LZ



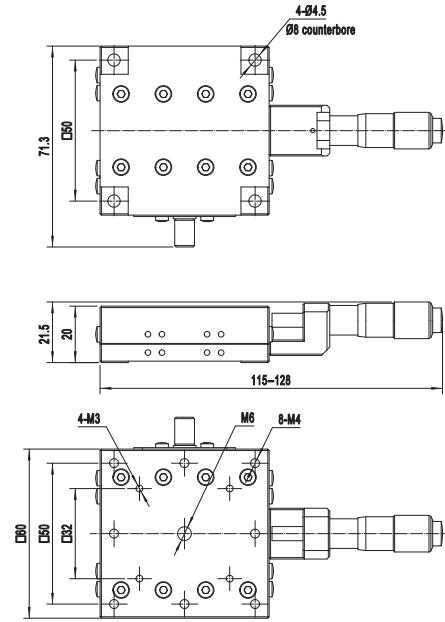
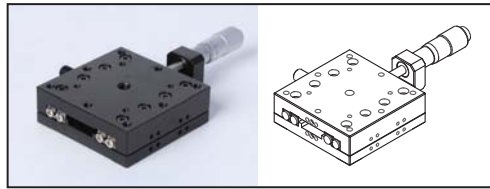
AK13A-4020LZ



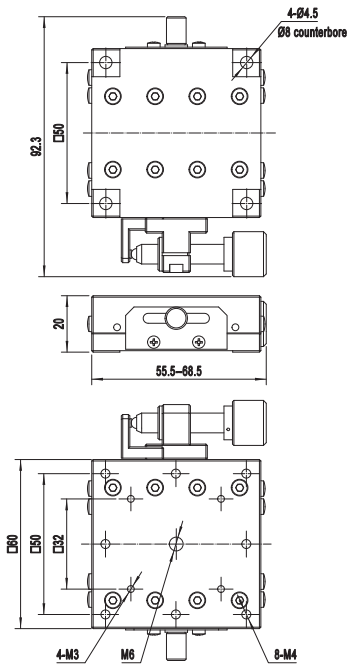
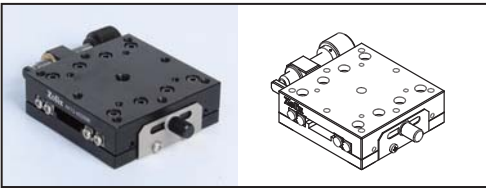
AK13-6020C



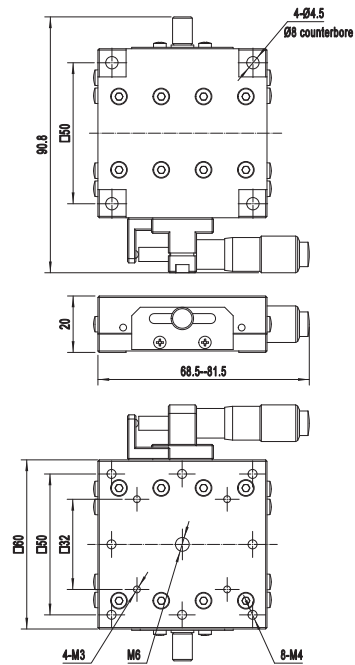
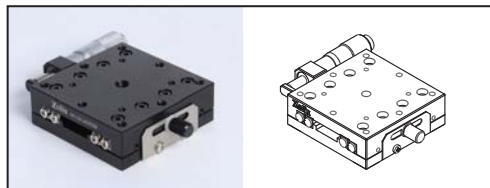
AK13A-6020C



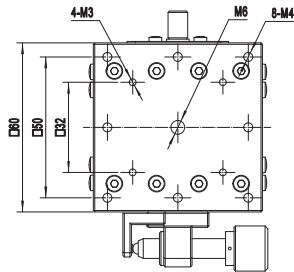
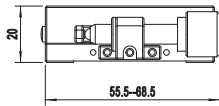
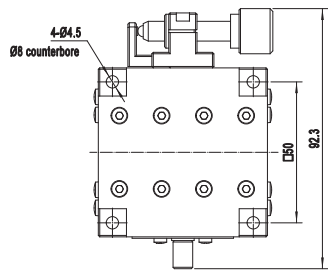
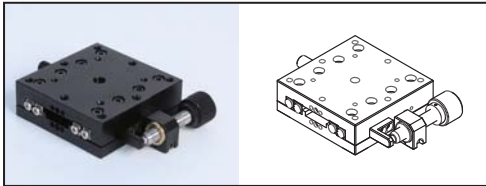
AK13-6020SR



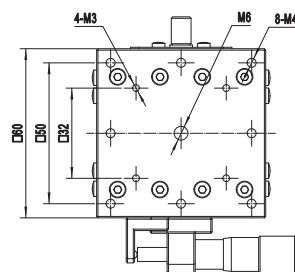
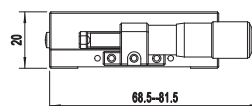
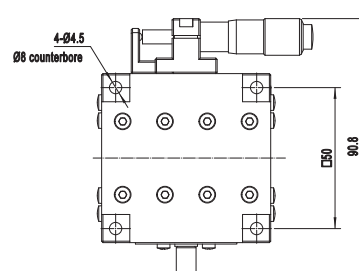
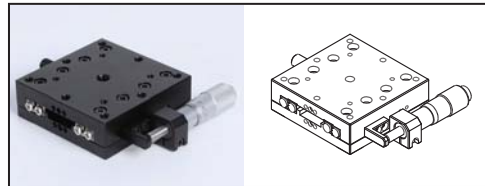
AK13A-6020SR



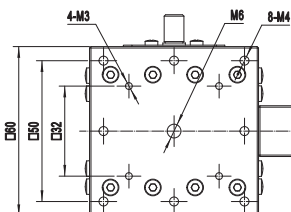
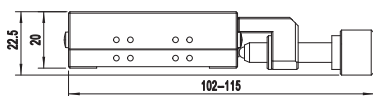
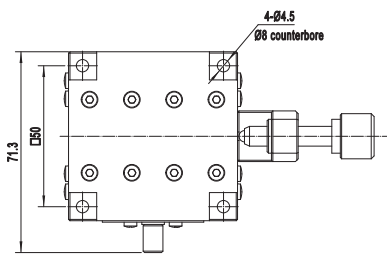
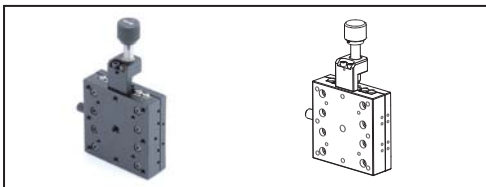
AK13-6020SL



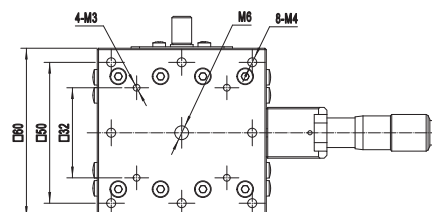
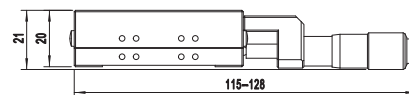
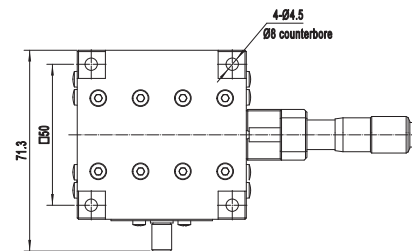
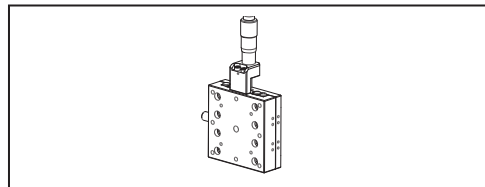
AK13A-6020SL



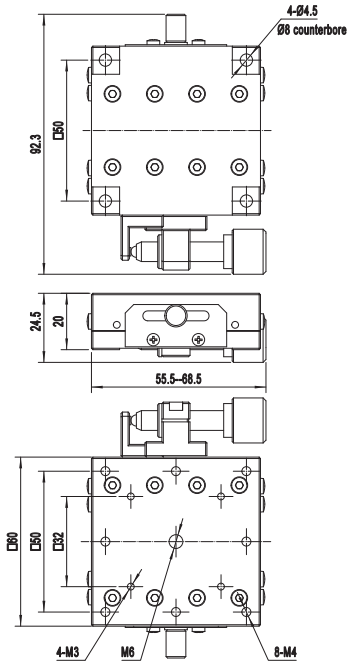
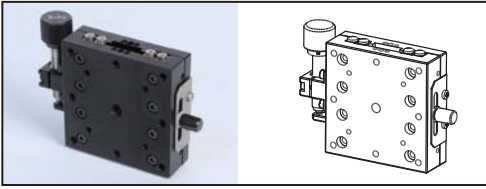
AK13-6020CZ



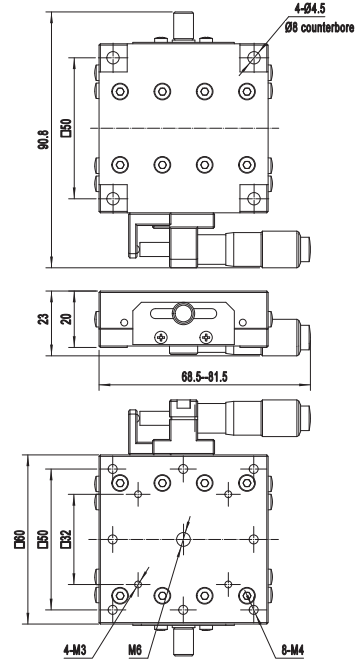
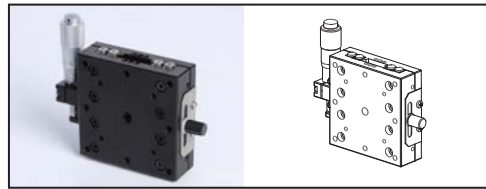
AK13A-6020CZ



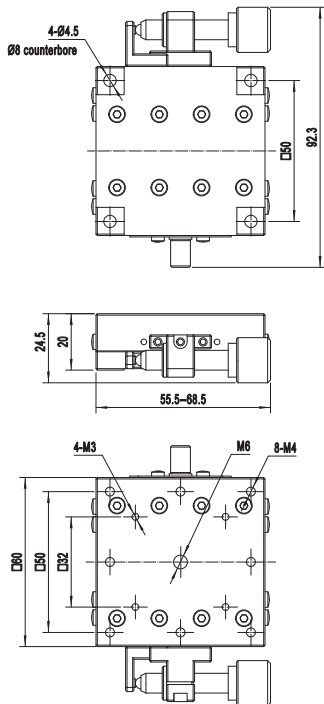
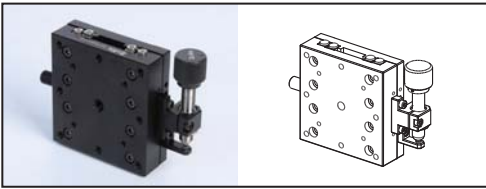
AK13-6020RZ



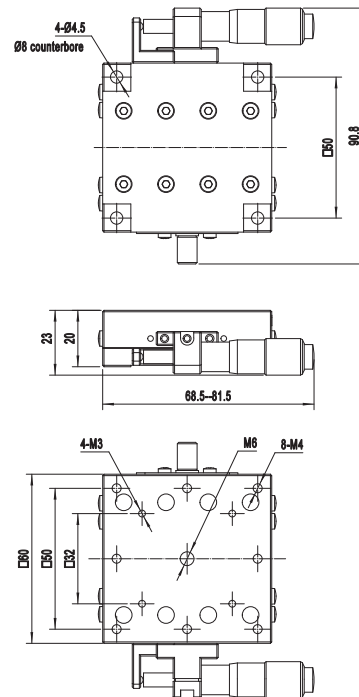
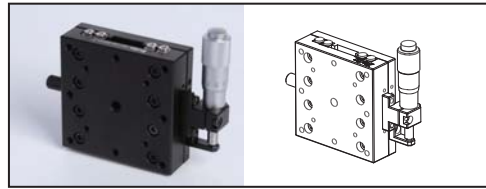
AK13A-6020RZ



AK13-6020LZ



AK13A-6020LZ

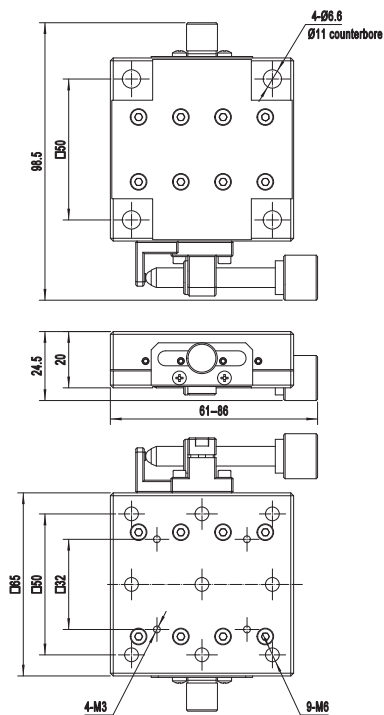
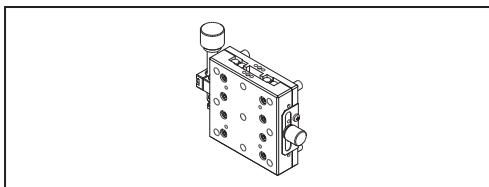




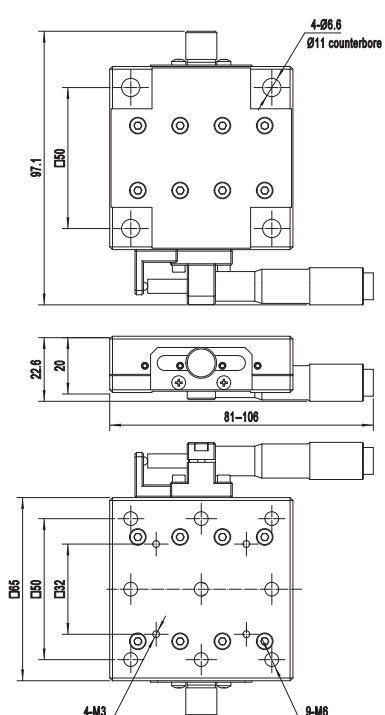
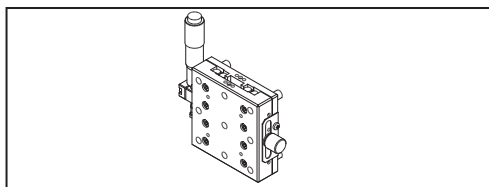




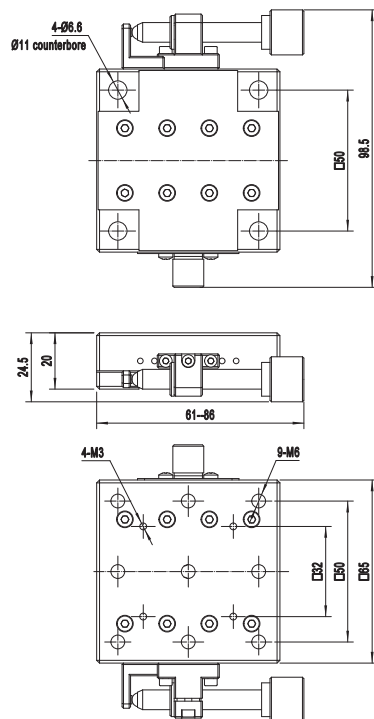
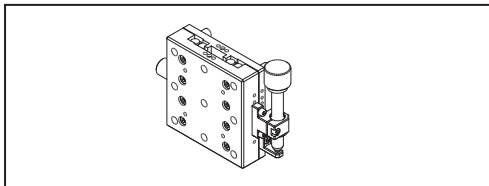
AK25-6520RZ



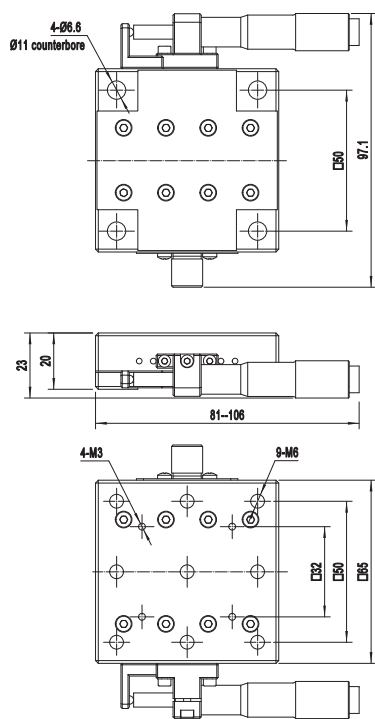
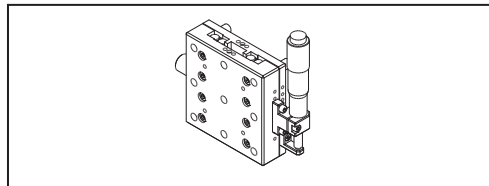
AK25A-6520RZ



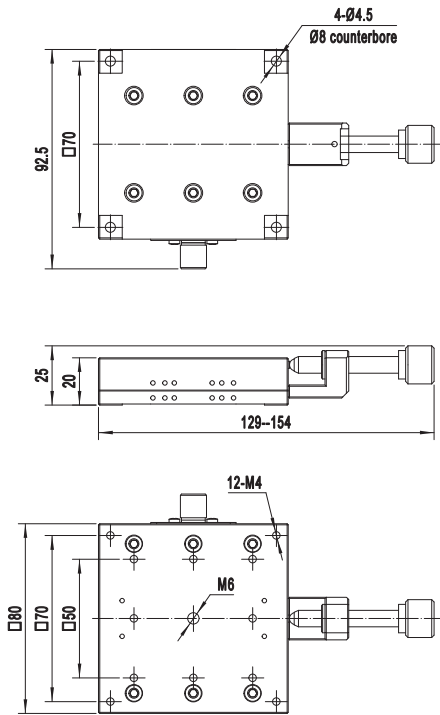
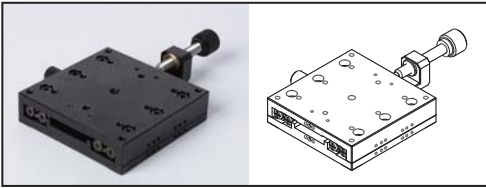
AK25-6520LZ



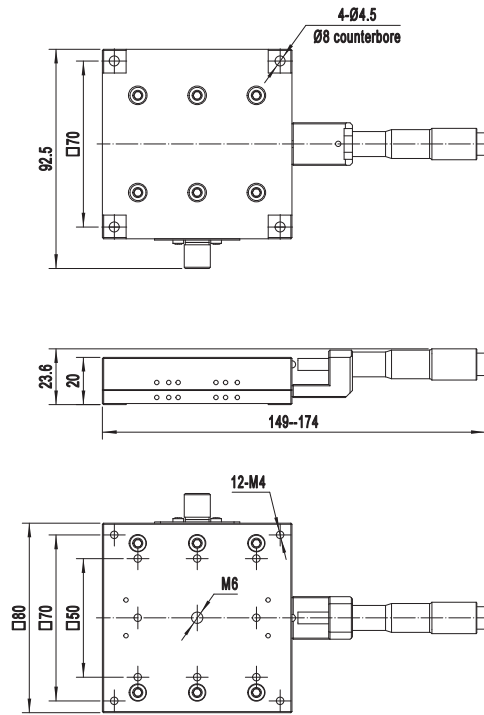
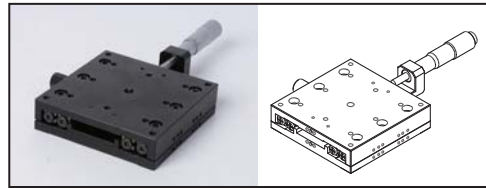
AK25A-6520LZ



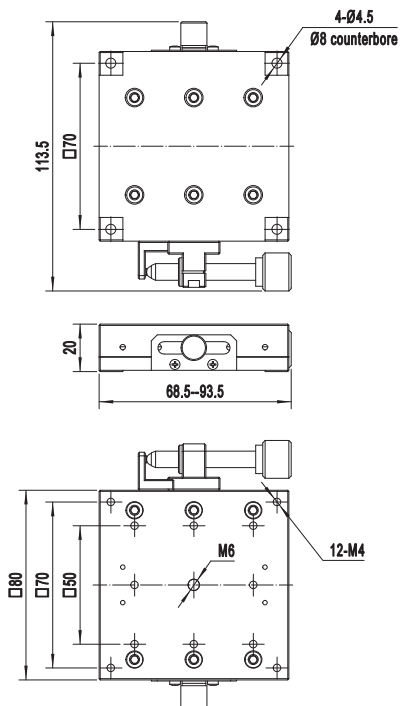
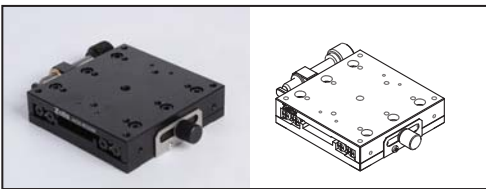
AK25-8020C



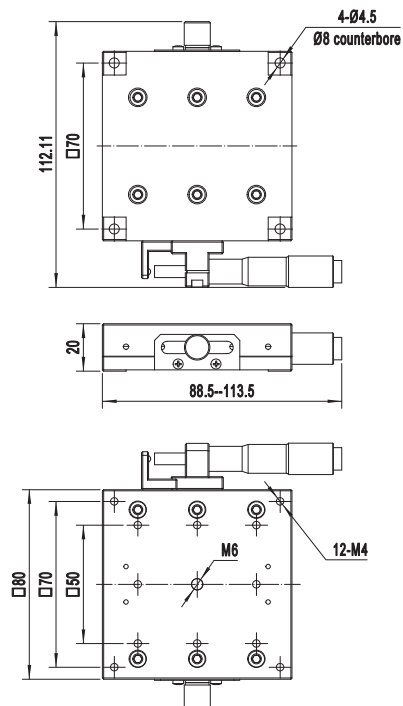
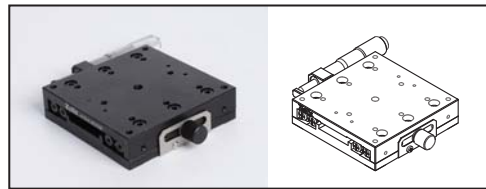
AK25A-8020C



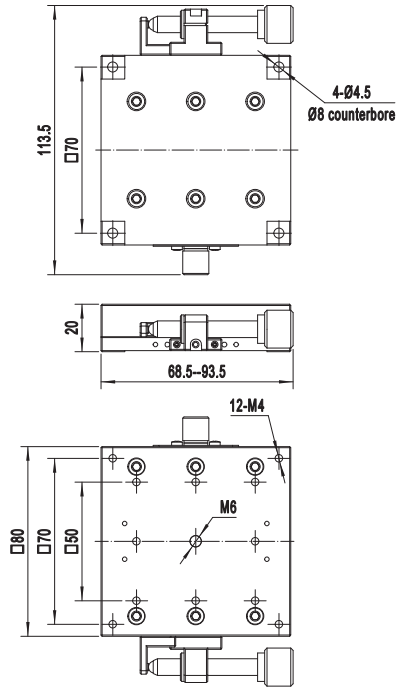
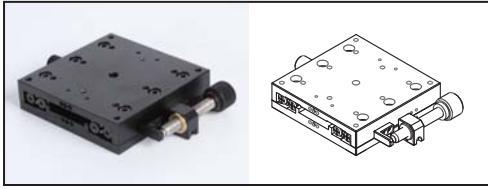
AK25-8020SR



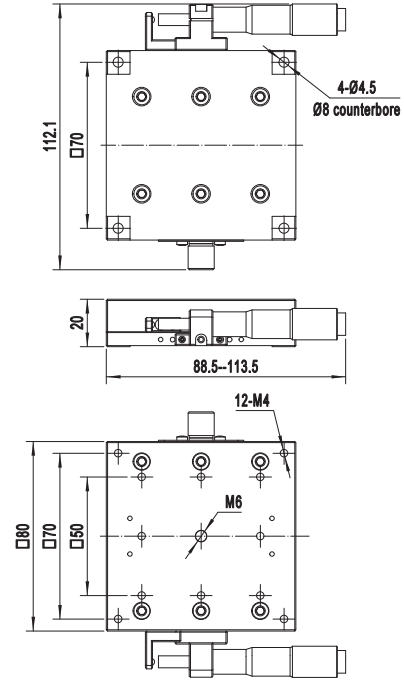
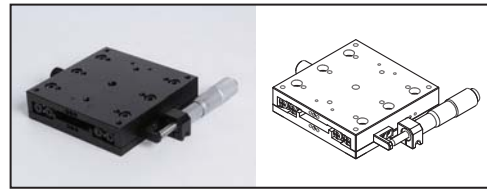
AK25A-8020SR



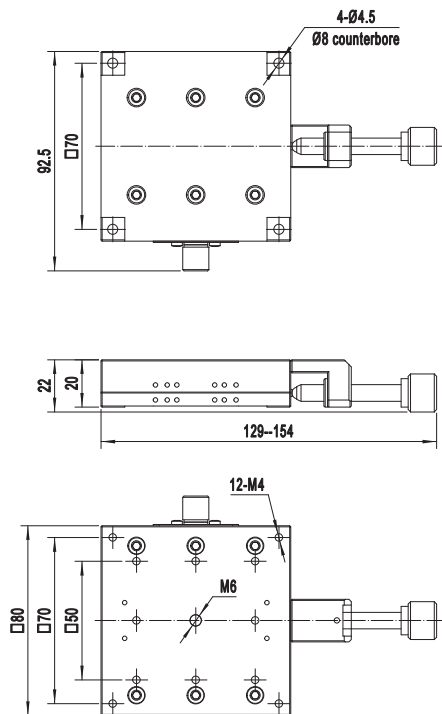
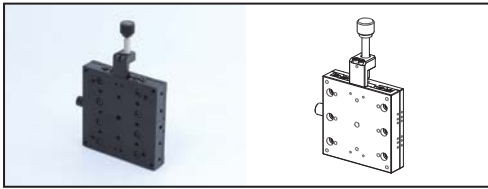
AK25-8020SL



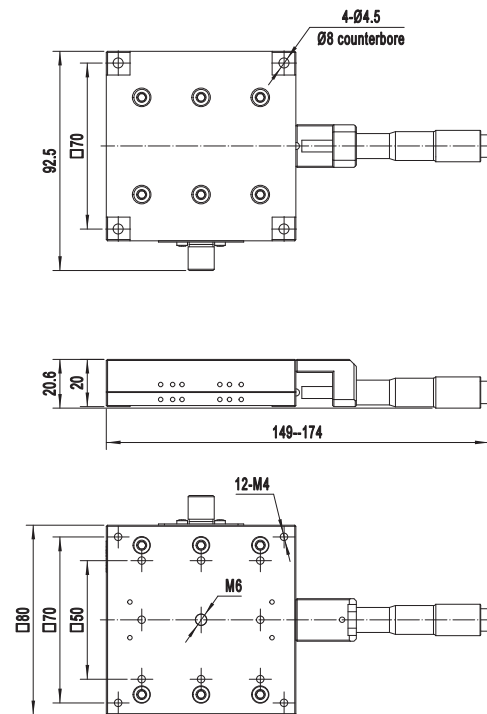
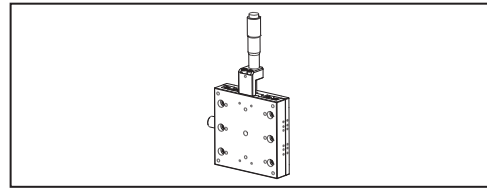
AK25A-8020SL



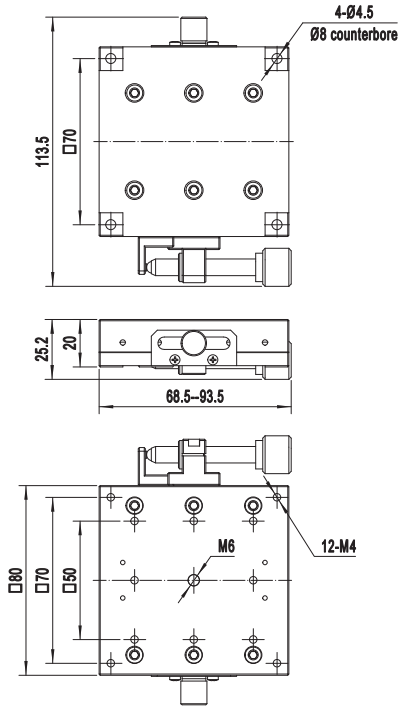
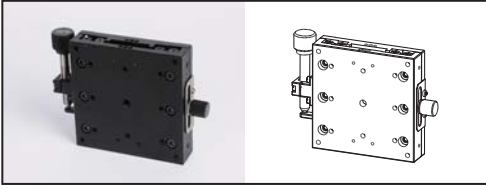
AK25-8020CZ



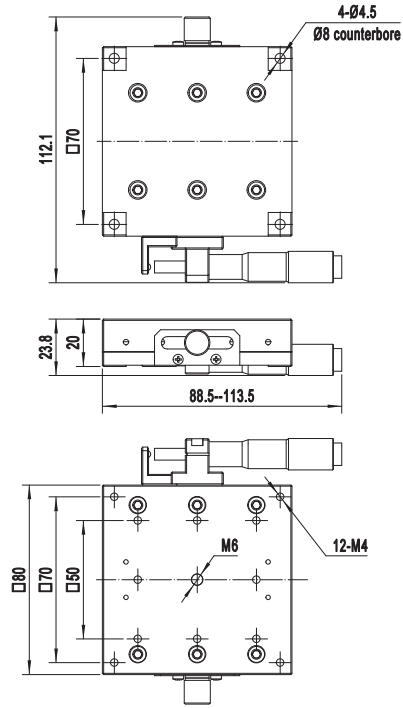
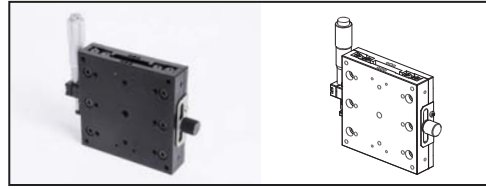
AK25A-8020CZ



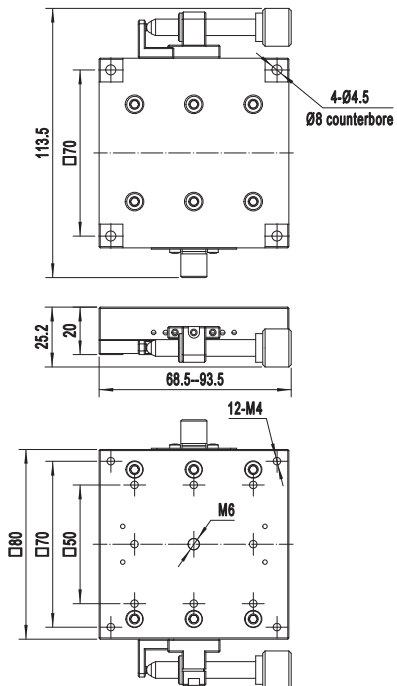
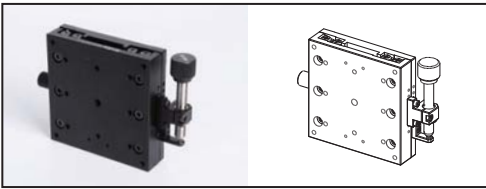
AK25-8020RZ



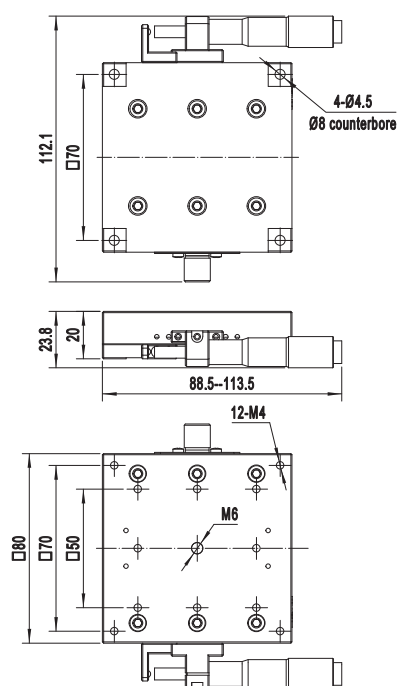
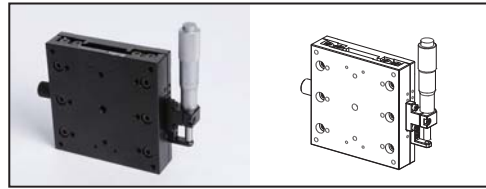
AK25A-8020RZ



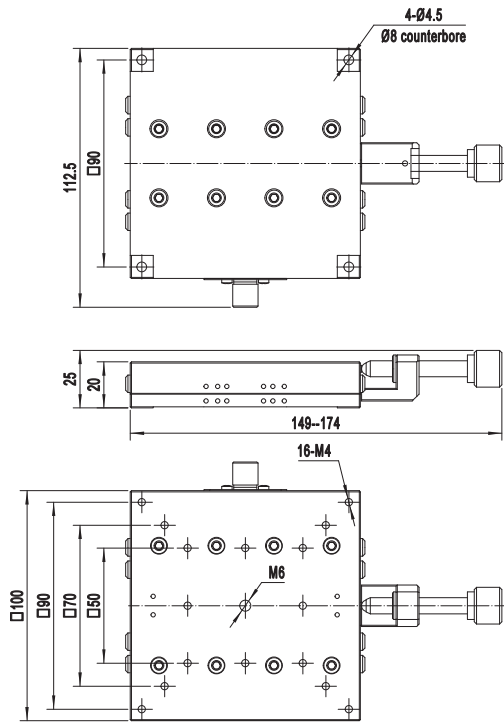
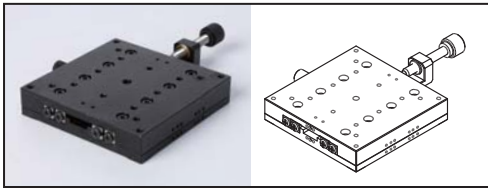
AK25-8020LZ



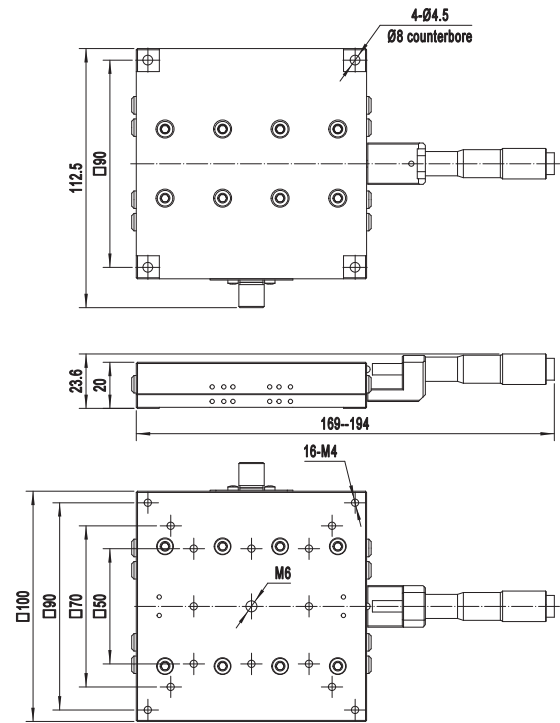
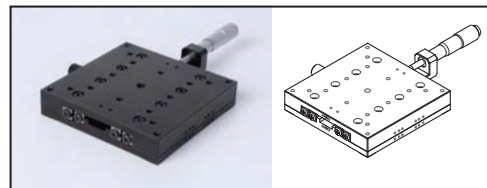
AK25A-8020LZ



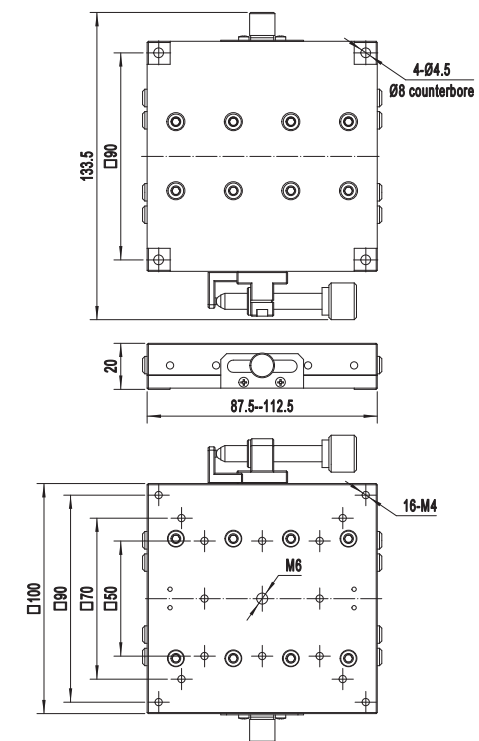
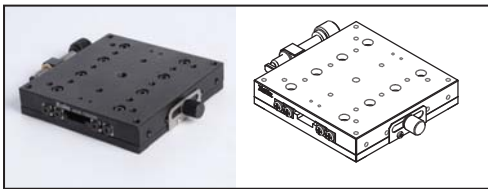
AK25-10020C



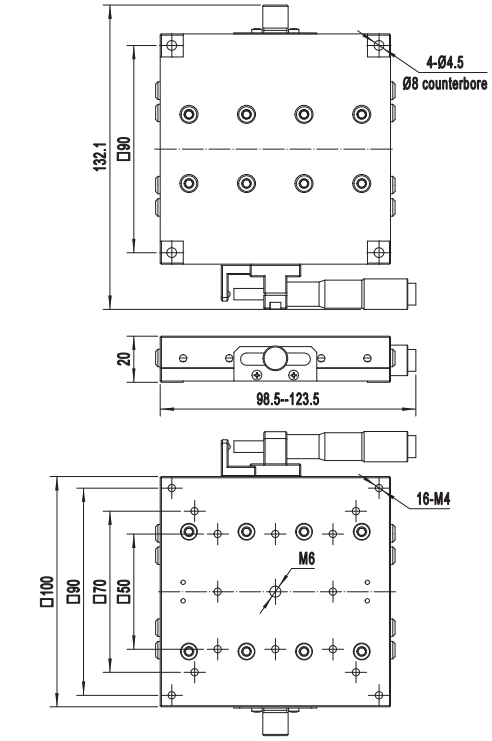
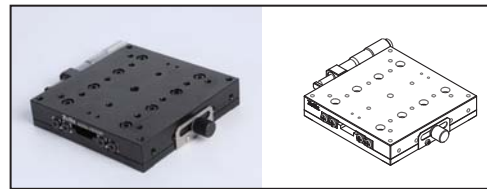
AK25A-10020C



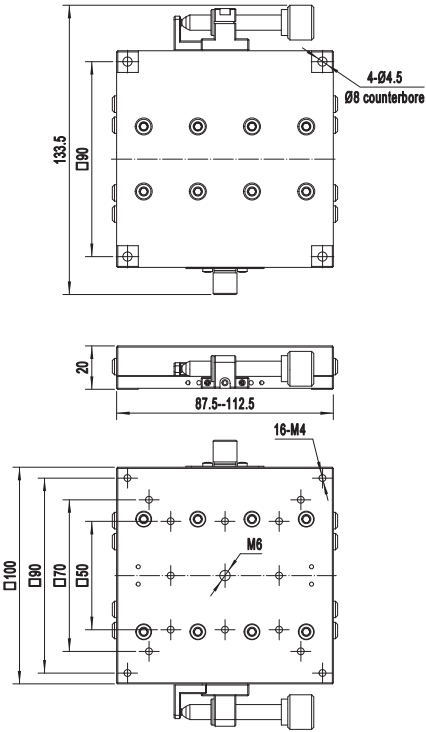
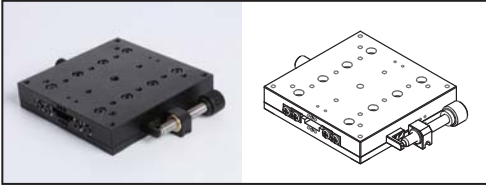
AK25-10020SR



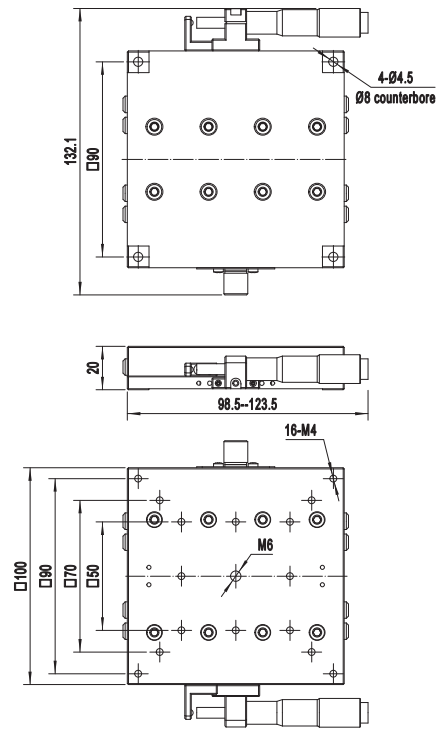
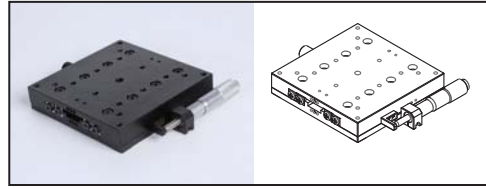
AK25A-10020SR



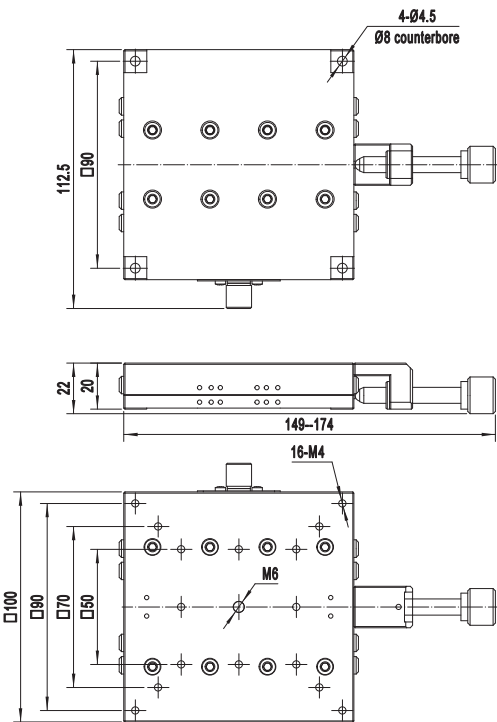
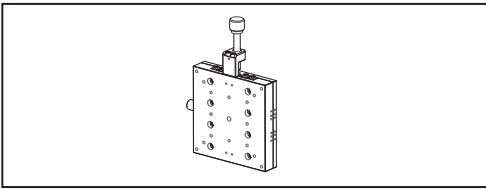
AK25-10020SL



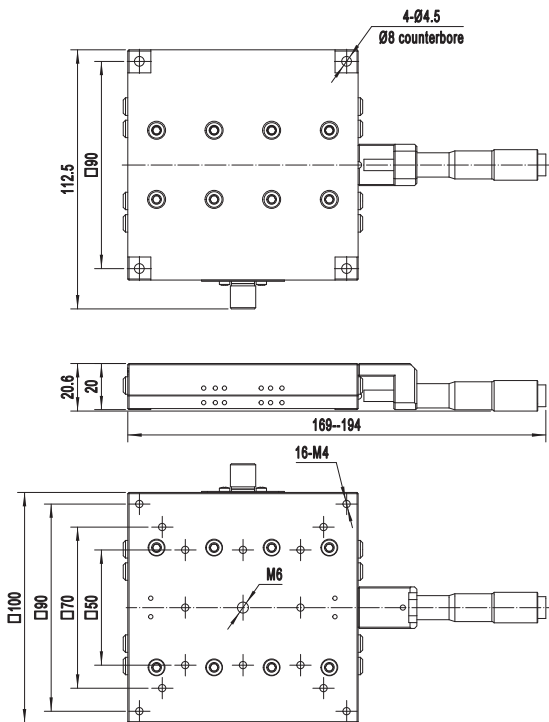
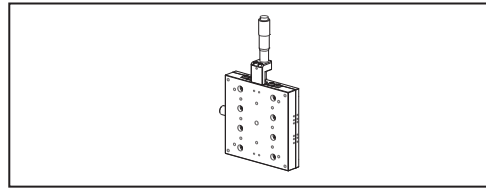
AK25A-10020SL



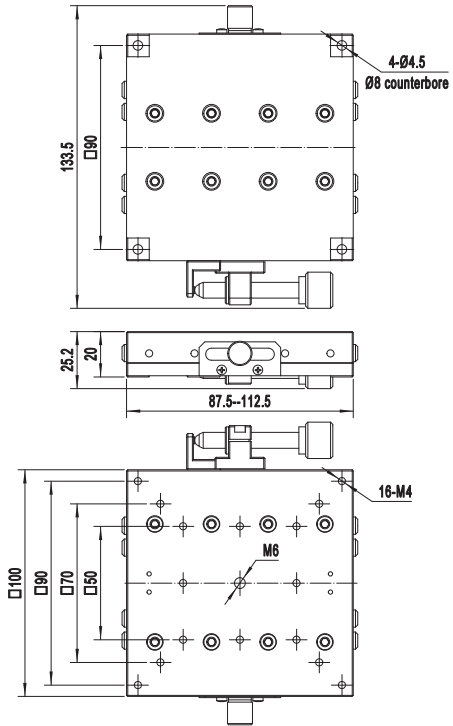
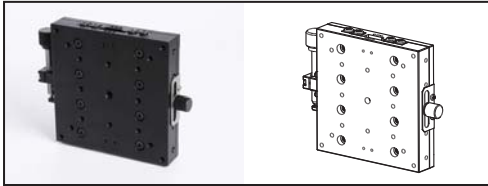
AK25-10020CZ



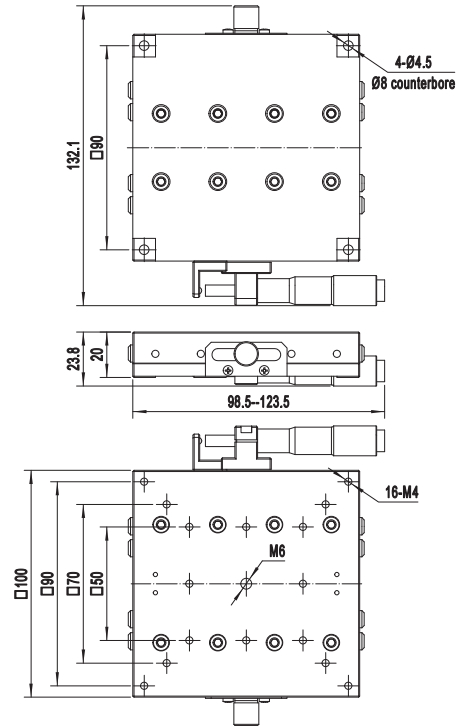
AK25A-10020CZ



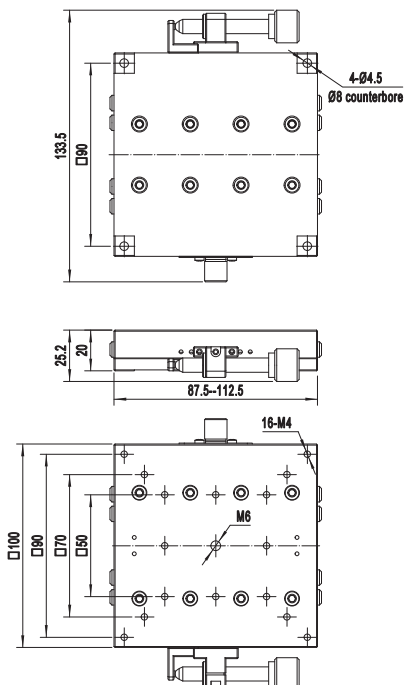
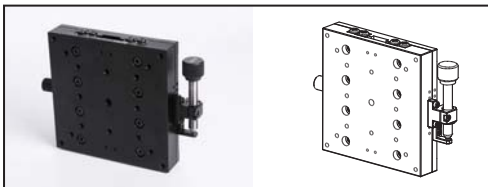
AK25-10020RZ



AK25A-10020RZ



AK25-10020LZ



AK25A-10020LZ

