



Naming Rules

AKG 75 -60

Center height:
50: 50mm
75: 75mm

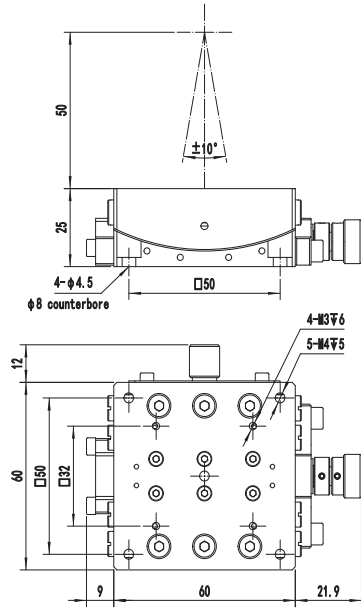
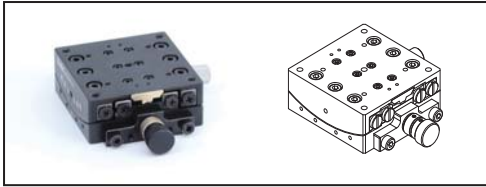
Table size:
60: 60mm × 60mm

Selection Table

Model	AKG50-60	AKG75-60
Travel(°)	± 10	± 8
Center Height(mm)	50	75
Table Size(mm)	60×60	
Thickness(mm)	25	
Transmission Ratio	252:1	352:1
Weight(Kg)	0.36	
Rotation center runout(μm)	≤ 15	
The rotation angle by micrometer rotation one circle (°)	≈ 1.43	≈ 1.02
Load(Kg)	≤ 5	

Dimensions:

AKG50-60



AKG75-60

