

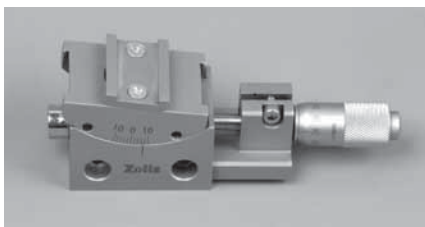
High Precision Fiber Alignment Stages

Selection Guide:

Series	Axes of Travel	Bearing Type	Base Material
NFP-GON10	θx	Rotation Mechanism	304 Stainless Steel
NFP-2561(L)	$\theta y, \theta z$	Rotation Mechanism	304 Stainless Steel
NFP-3561(L)	X,Y,Z	Crossed-Roller	304 Stainless Steel
NFP-5561(L)	X,Y,Z, $\theta y, \theta z$	Crossed-Roller	304 Stainless Steel
NFP-6561(L)	X,Y,Z, $\theta x, \theta y, \theta z$	Crossed-Roller	304 Stainless Steel
APFP- θx	θx	Rotation Mechanism	430 Stainless Steel
APFP-T(L)	$\theta y, \theta z$	Rotation Mechanism	430 Stainless Steel
APFP-YZ	Y,Z	Crossed-Roller	430 Stainless Steel
APFP-XYZ(L)	X,Y,Z	Crossed-Roller	430 Stainless Steel
APFP-XYZT(L)	X,Y,Z, $\theta y, \theta z$	Crossed-Roller	430 Stainless Steel
APFP-XYZT θ (L)	X,Y,Z, $\theta x, \theta y, \theta z$	Crossed-Roller	430 Stainless Steel
FP-XYZT(L)	X,Y,Z, $\theta y, \theta z$	Linear Bearing	430 Stainless Steel&Al Alloy

NFP-x561 series High Precision Fiber Alignment Stages

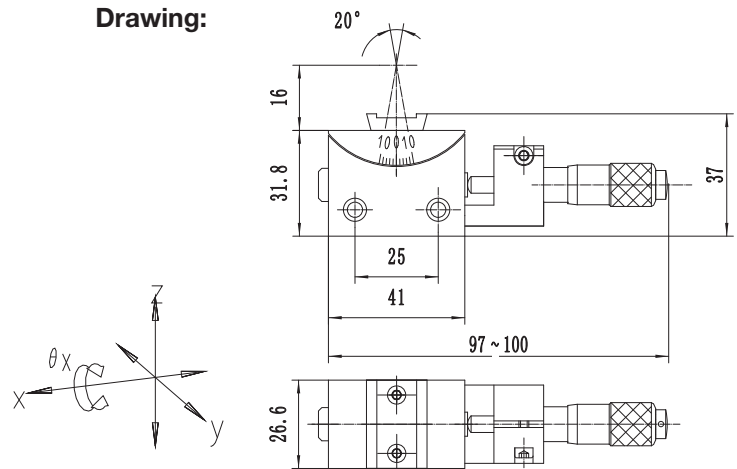
NFP-GON10 High Precision Goniometer Stage



Specification:

- Rotation Angle: θx : $\pm 10^\circ$
- Sensitivity: 6"

Drawing:

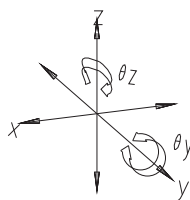


NFP-2561T(L) High Precision Tilt Stage

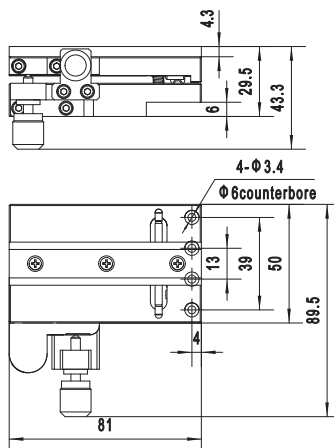


Specification:

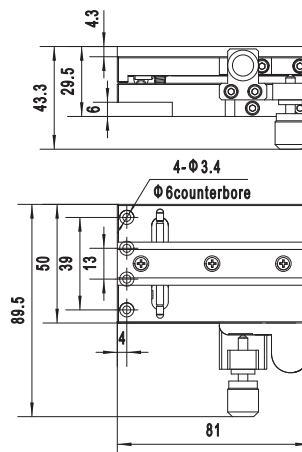
- θ_y : $-2^\circ \sim 4^\circ$
- θ_z : $-4^\circ \sim 4^\circ$



Drawing: NFP-2561TL



NFP-2561T

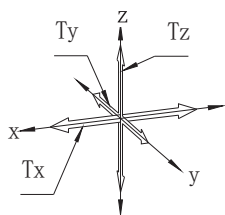


NFP-3561(L) High Precision Fiber Alignment Stage

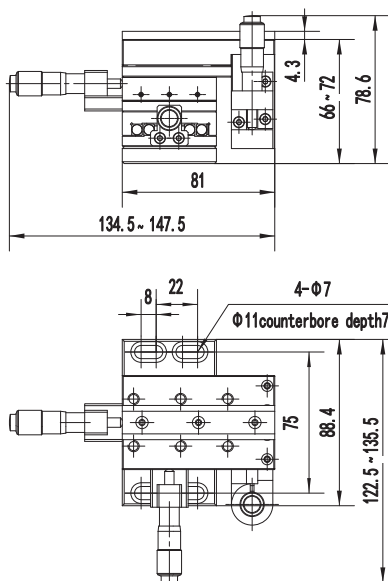


Specification:

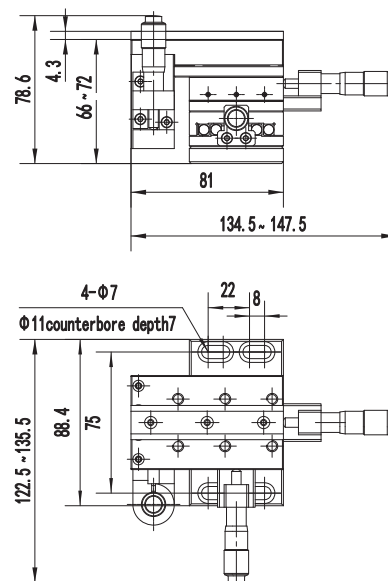
- Tx: 13mm Ty: 13mm Tz: 6mm
- Sensitivity: $< 1\mu\text{m}$
- Straightness of X,Y,Z: $< 3\mu\text{m}$



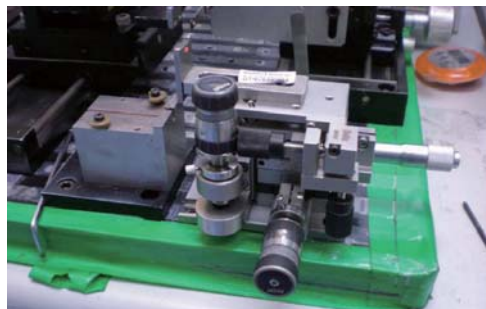
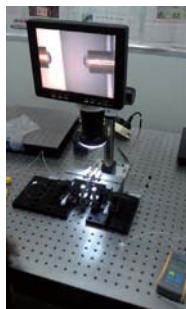
Drawing: NFP-3561L



NFP-3561



Application:

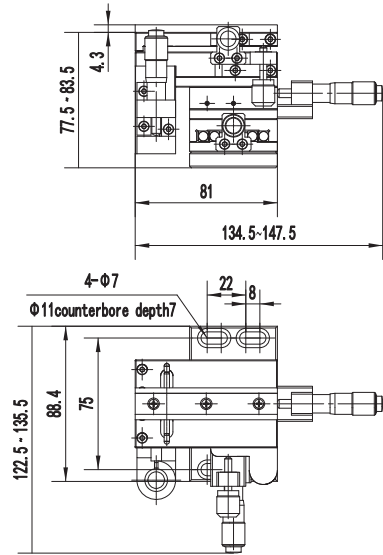
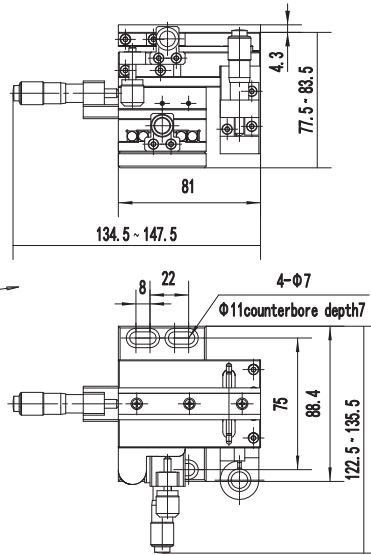


NFP-5561(L) High Precision Fiber Alignment Stage



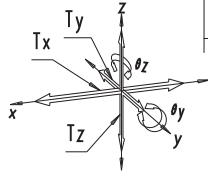
Drawing: NFP-5561L ▼

NFP-5561 ▼



Specification:

- Tx: 13mm
- Ty: 13mm
- Tz: 6mm
- θ_y : $-2^\circ \sim 4^\circ$
- θ_z : $-4^\circ \sim 4^\circ$
- Sensitivity: $< 1\mu\text{m}$
- Straightness of X,Y,Z axis: $< 3\mu\text{m}$

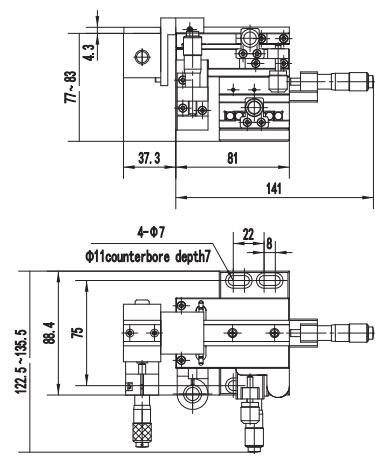
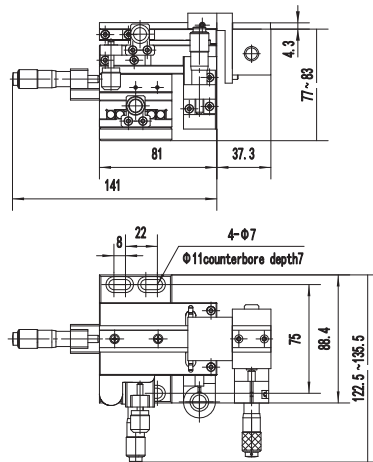


NFP-6561(L) High Precision Fiber Alignment Stage



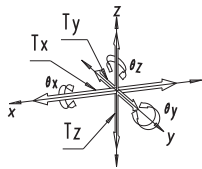
Drawing: NFP-6561L ▼

NFP-6561 ▼



Specification:

- Tx: 13mm
- Ty: 13mm
- Tz: 6mm
- θ_x : $-10^\circ \sim 10^\circ$
- θ_y : $-2^\circ \sim 4^\circ$
- θ_z : $-4^\circ \sim 4^\circ$
- Sensitivity: $< 1\mu\text{m}$
- Straightness of X,Y,Z axis: $< 3\mu\text{m}$



Application:

