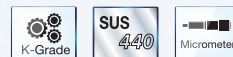


SKR series Stainless Steel High Precision Rotation Stages

FAstage



SKR series precision rotation stages are ideal for fine-tuning angular orientation in 10° range when rotating it to an approximate angle by course-tuning. The table top contains many standard screw holes to fix various components in laboratory applications. Threaded holes on the edge are used for mounting, especially useful for vertical mounting. These stages feature ball bearing or cross roller ring for smooth motion and higher load capacity. Driven by micrometer, it features high sensitivity.

Features:

- Sensitivity to 0.68 arc minutes
- Ball bearing or cross roller ring for smooth motion and higher load capacity

Naming rules:

SK R 10 A-45

SK: Stainless steel, Cross roller ring, high precision (Only φ45 is ball bearing)

Fine-tuning range:
10: 10°

Table size:
45: φ45mm
60: φ60mm
90: φ90mm

R: Rotation stage

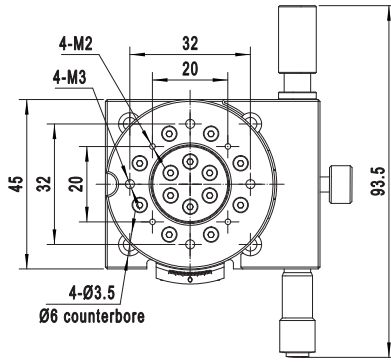
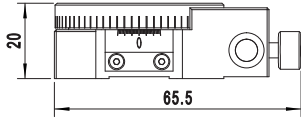
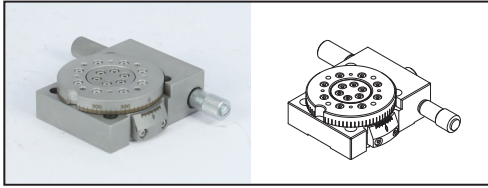
Driven mode:
A: Micrometer

Selection Table

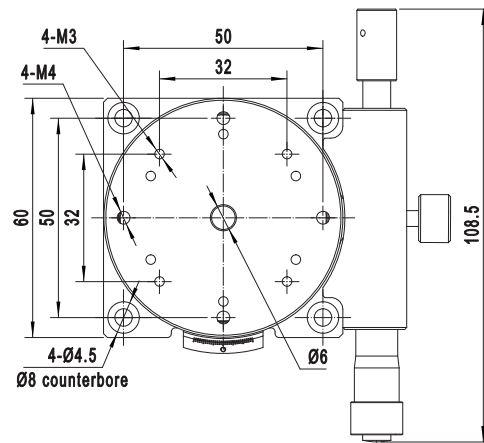
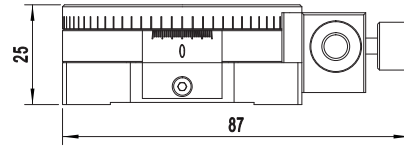
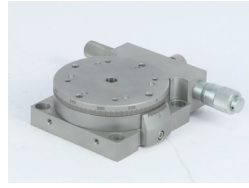
Model	SKR10A-45	SKR10A-60	SKR10A-60R	SKR10A-90
Travel	Coarse (°)			
	360			
	Fine (°)			
	10			
Table size (mm)	φ45	φ60	φ60	φ90
Bearing	Ball bearing	Cross roller ring		
Actuator	Micrometer			
Material	304 Stainless steel with sandblasting treatment			
Weight (Kg)	0.33	0.71	0.71	1.38
Minimum reading (°)	0.1			
Sensitivity (')	1.21	0.95	0.95	0.68
Static parallelism (mm)	≤0.05			
Axial run-out (um)	≤40	≤30		
Radial run-out (um)	/	≤50		
The rotation angle by one circle of micrometer (°)	≈ 1.01	≈0.74	≈0.74	≈0.55
Center load (Kg)	≤1.5	≤2	≤2	≤3

Dimensions:

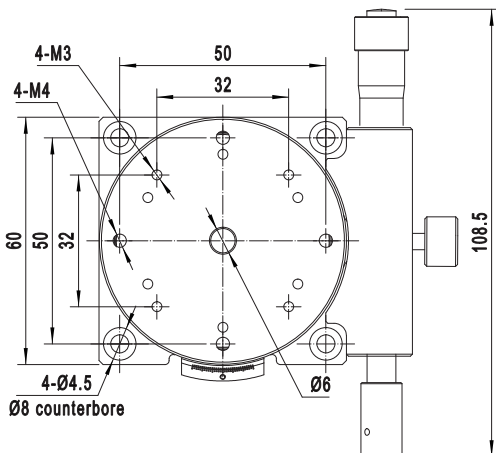
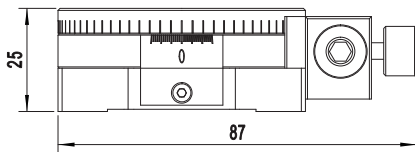
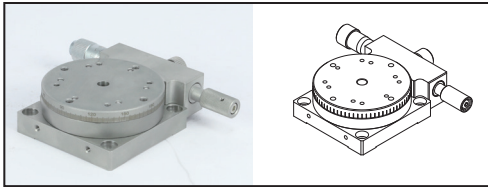
SKR10A-45



SKR10A-60



SKR10A-60R



SKR10A-90

