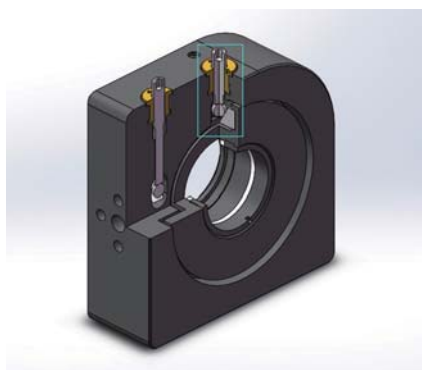


NMVG series Vertical Drive Kinematic Mirror Mount



Brief Introduction:

NMV series is in the Zolix N series new designed kinematic mirror mounts



Features:

- High-quality materials: The main body is made of high-quality aluminium alloy, and the surface treated by black anodic oxidation.
- Advanced structure: No adjustment thumb wheel saving more space, you can keep the optics more closer. Suit for ultra compact optical layout
- Easy for tuning: Available for using the Hexagon wrench or thumb wheel
- High stable: M4*3 screw with copper sleeve, fine calculated pulling spring moderate pulling force
- Universal: Can mount with lens, mirror, beamsplitter etc. saving the space, avoid the finger block the optical path, can be use in the laser chamber

Selection Table:

Model	NMV12.7	NMV20	NMV25.4	NMV38.1	NMV50.8
Optic Size (mm)	φ 12.5/φ 12.7	φ 20	φ 25/φ 25.4	φ 38.1	φ 50/φ 50.8
Optics Thickness (mm)	2~5	3~6			
Adjustment Angle Range (°)	±3				
Clear Aperture (mm)	φ 11.5	φ 19	φ 23.5	φ 36.5	φ 47
Optic Center Height (mm)	17	25	25	32	35
Overall Thickness (mm)	13	20	20	20	22
One Round of Screw Drive vs Angle Adjusted (°)	Tilt: ≈0.55 Tilt: ≈0.57	Tilt: ≈0.35 Tilt: ≈0.34	Tilt: ≈0.35 Tilt: ≈0.34	Tilt: 0.31 Tilt: 0.26	Tilt: ≈0.28 Tilt: ≈0.22
Main Body Material and Treatment	aluminium alloy, surface treated by black anodic oxidation.				
Number of Pulling Spring	3				
Locking Mechanics	Yes				
Mounting Hole	M4	M6, 2pcsM4			
Net Weight (g)	40	160	150	180	220

