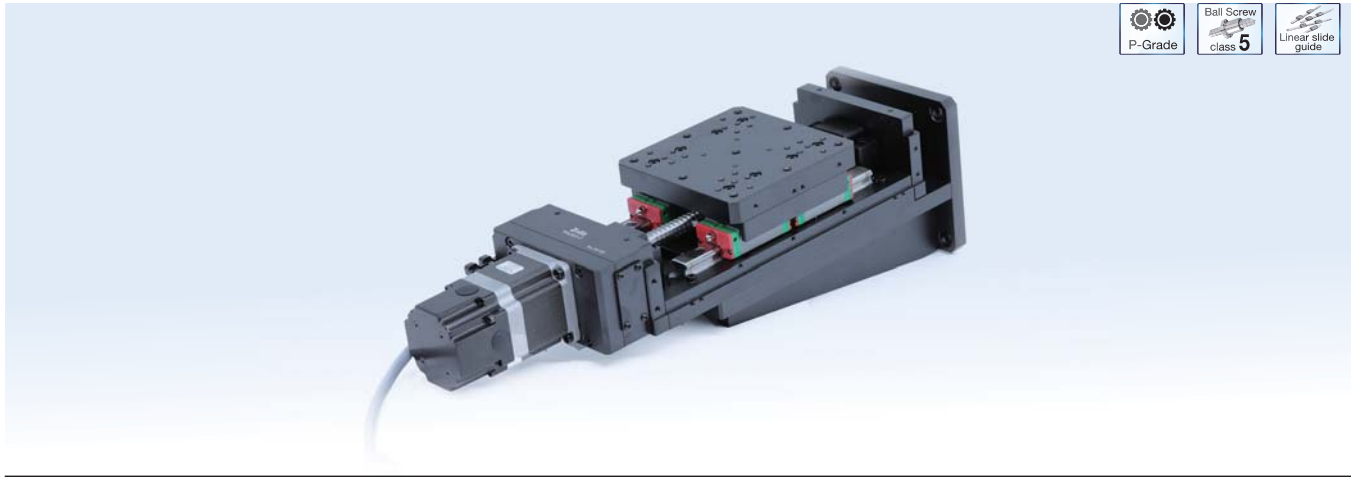


## PAXx-Z series precise motorized vertical-motion stages



### Description:

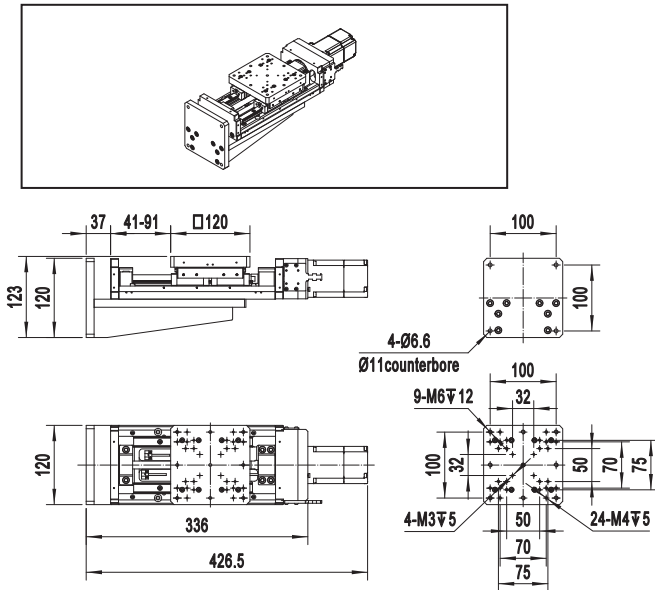
PAXx-Z series precise motorized vertical-motion stages are new-developed products based on Zolix's standard PA-11-X series motorized linear stages, adding a set of right-angle fixing block and power-failure protection unit. Except motion direction and loading capability, others are same as those of standard PAXx products. PAXx-Z is used for fine adjustments in Z-direction.

## Selection chart:

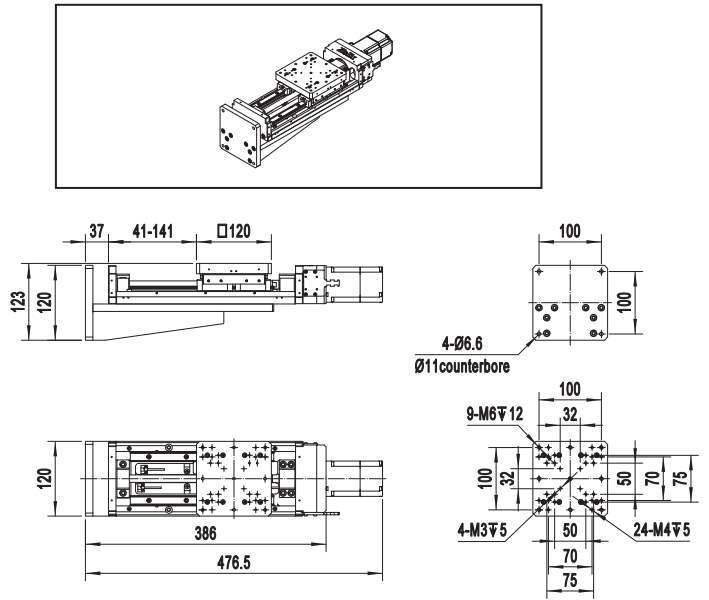
Model number		PA050-Z	PA100-Z	PA150-Z	PA200-Z	PA300-Z	PA400-Z	PA600-Z	PA800-Z	PA1000-Z
<b>Mechanical specifications</b>	Travel range(mm)	50	100	150	200	300	400	600	800	1000
	Table dimensions(mm)	120×120				150X150		200X200		
	Transmission mechanism	precise ball screws Φ 12×4				precise ball screws Φ 16×5		precise ball screws Φ 25×5		
	Guides (guiding mechanism)	linear-slider guides								
	Main body materials and surface treatments	Black anodic-oxidation aluminum-alloy								
	Weight (Kg)	7.6	8.2	9	9.7	12.3	14	29.5	35	40
	Shaft coupling (external diameter-diameter of aperture 1-diameter of aperture 2) (mm)	30-6.35-8						32-8-12		
<b>Accuracy specifications</b>	resolution (μm)	20				25				
	20-fine-subdivision resolution (μm)	1				1.25				
	Highest speed (mm/s) *	40				50				
	Single-direction positioning accuracy (μm)	≤30						/		
	Repositioning accuracy (μm)	≤±3						≤±5		
	Repositioning accuracy (μm)	≤3								
	Backlash clearance (μm)	≤5								
	Static parallelism (mm)	≤0.1								
	Motion linearity (μm)	≤10				≤15		≤15μm/100mm		
	Motion parallelism (μm)	≤15				≤20		≤15μm/100mm		
	Yaw (")	≤30				≤40		/		
	Pitch (")	≤35				≤55		/		
<b>Electrical specifications</b>	Motor and its stepping angle (°)	Two-phase 57 stepping motor, 1.8								
	Brand and model number of motor	Shinano,SST59D3201						Shinano,SST59D5301-SD		
	Working current (A)	2.0				3.0				
	Torque of motor (N·m)	1.3				1.57				
	Brand and model number of stepping driver (optional)	Moons,SR4								
	Type of plugs for stages	DB9(pin)								
	Type of cables for stages	High flexible cables (Helukabel, Germany)								
	Length of cables for stages(m)	0.2								
	Position-limit sensors (built-in)	2*PM-L25 (SUNX, Japan)								
	Origin-point sensors (built-in)	11*PM-L25 (SUNX, Japan)								
	Voltage of power supply for sensors (V)	DC5~24V ±10%								
	Consuming current (mA)	<60 (total)								
	Output for control	collector of NPN open-circuit output								
Status of output ports	Position limit sensor: output ON when sensor is blocked; Origin-point sensor: output OFF when sensor is blocked									
<b>Operating load</b>	Vertical direction-central (Kg)	15						30		

# Dimensions:

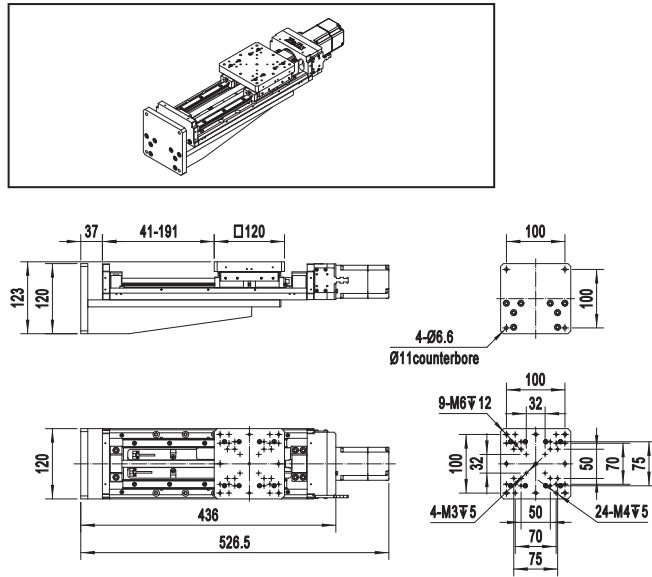
PA050-Z



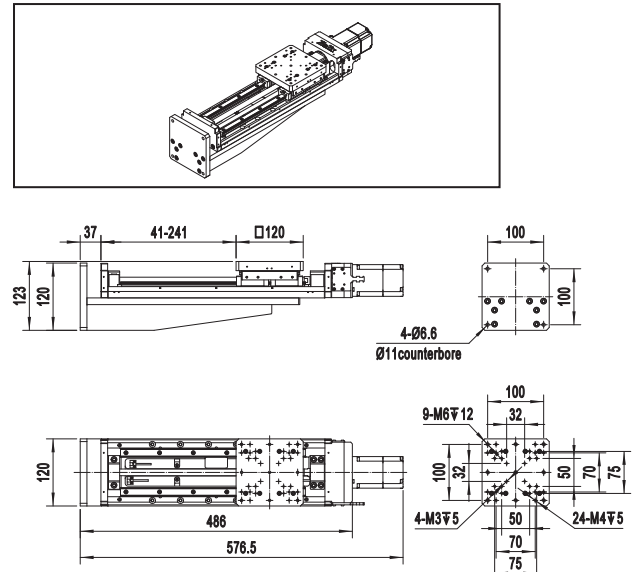
PA100-Z



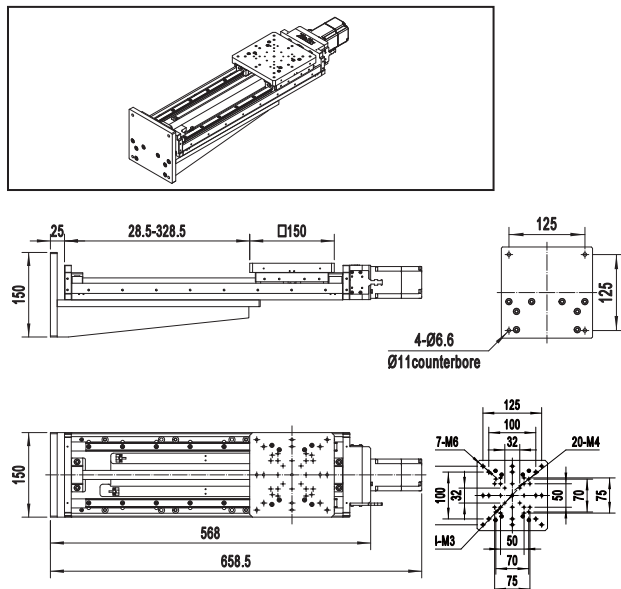
PA150-Z



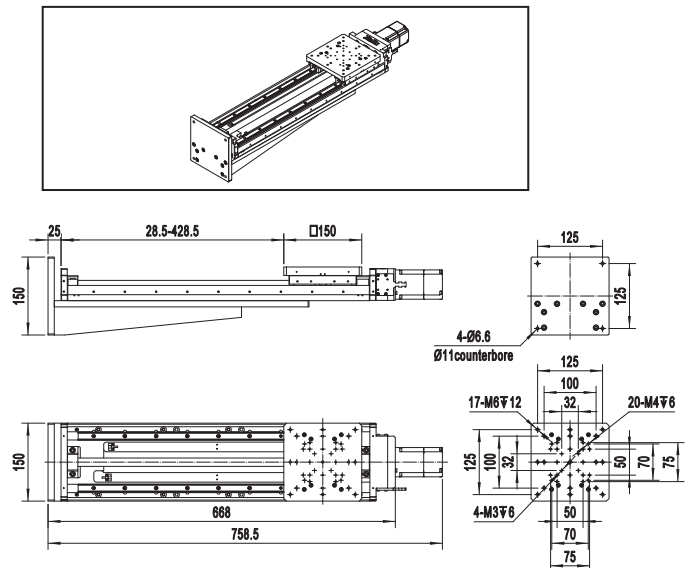
PA200-Z



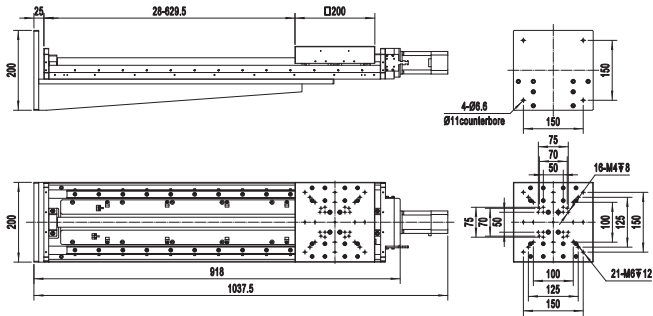
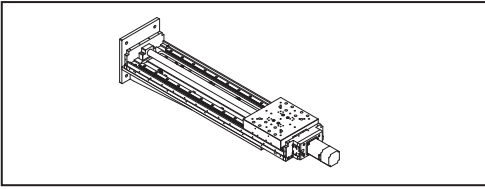
PA300-Z



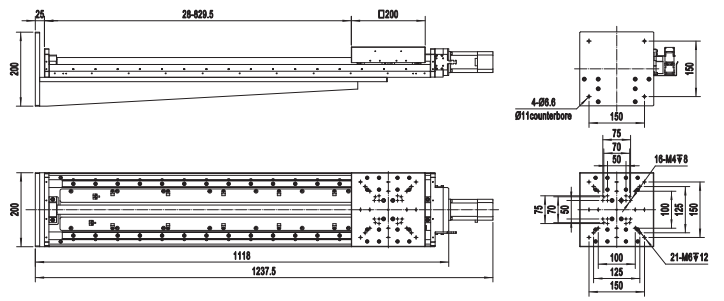
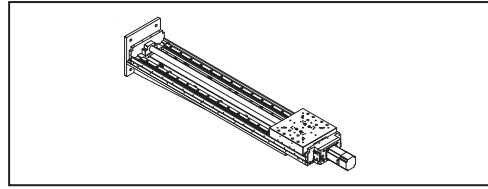
PA400-Z



PA600-Z



PA800-Z



PA1000-Z

