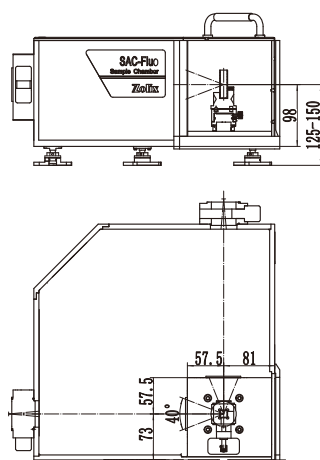


Chamber

- SAC-Fluo fluorescence sample chamber
- SAC-PL compact PL sample chamber
- SAC-RF transmission and reflection sample chamber
- SAC-FT transmission and absorption sample chamber

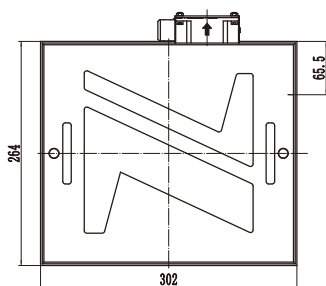
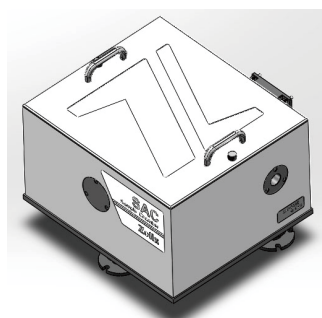
SAC-Fluo fluorescence sample chamber



Features

- Big space design, easy to operate;
- F/1 optical design, the best signal collection efficiency;
- The chamber can be used for fluorescence measurement directly with Omni- λ series spectrometer;
- The chamber features an external laser excitation path;
- 25/25.4 mm filters can be installed;
- Standard configuration contains a cuvette, a SAC-SH15 cuvette sample holder, a SAC-SH11 film sample holder, a SAC-SH12A powder sample holder;
- The chamber can be upgraded with a cryostat (option);
- Only available for Omni- λ series spectrometer with manual slit.

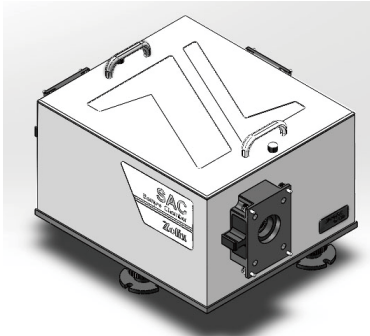
SAC-PL compact PL sample chamber



Features

- The chamber is dedicated to laser excitation fluorescence measurement, using reflective optical path to eliminate the effects of chromatic aberration;
- SAC-PL05 is configured with aluminum coated mirror, suitable for UV-VIS-NIR fluorescence measurement;
- SAC-PL06 is configured with gold coated mirror, suitable for infrared fluorescence measurement;
- The chambers use lens to focus the laser on the sample for improving signal noise ratio;
- The chambers are specially designed with two laser traps to reduce laser stray light;
- Optical path center height is 134-170mm adjustable;
- 25/25.4 mm filters can be installed in the collection path to protect fluorescence signal from laser;
- Standard configuration contains a cuvette, a SAC-SH15 cuvette sample holder, a SAC-SH11 film sample holder, a SAC-SH12A powder sample holder;
- Only available for Omni- λ series spectrometer with manual slit.

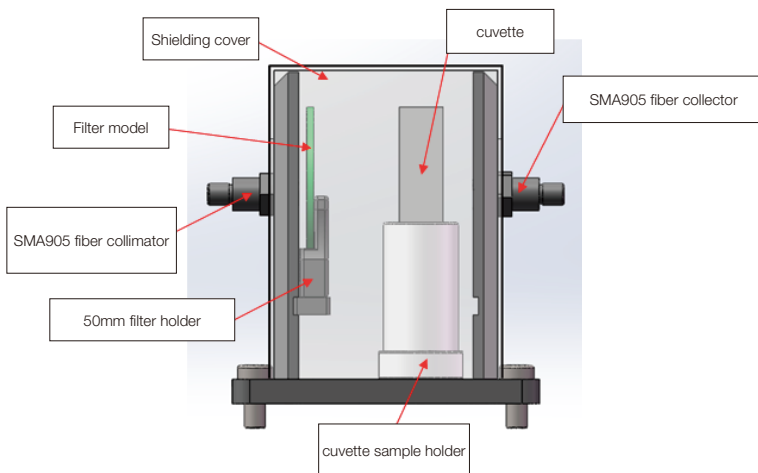
SAC-RF transmission and reflection sample chamber



Features

- The chamber is dedicated to transmission, reflection, and absorption spectra measurement, using reflective optical path to eliminate the effects of chromatic aberration;
- SAC-RF03 is configured with aluminum coated reflect mirror, its optical path is parallel, suited for UV-VIS-NIR wavelength spectrum measurement;
- SAC-RF04 is configured with gold coated reflect mirror, its optical path is parallel, suited for infrared wavelength spectrum measurement;
- SAC-RF05 is configured with silver coated reflect mirror, its optical path is parallel, suited for VIS-NIR wavelength spectrum measurement;
- Standard configuration contains a cuvette, a SAC-SH13 cuvette sample holder, a SAC-SH14 transmission sample holder;
- 25/25.4 mm filters can be installed in the collection path to avoid the noise interference;
- Only available for Omni-λ series spectrometer with manual slit.

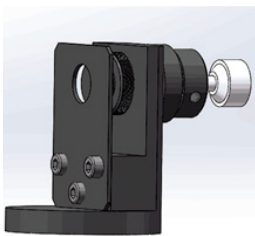
SAC-FT transmission and absorption sample chamber



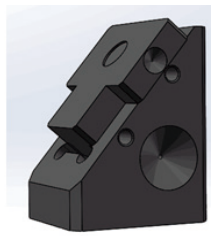
Features

- The chamber is dedicated to transmission, and absorption spectra measurement, with fiber coupling method;
- The fiber interface is SMA905;
- The optical path is designed to be parallel, suited for UV-VIS-NIR wavelength measurement;
- The standard filter holder is compatible with 0.5" , 1" , and 2" square or circle filter, the maximum thickness can be 4 mm;
- Contain a cuvette for liquid measurement;
- The fiber need to be prepared according to the requirement, so the chamber don't contain fiber.

Sample accessories



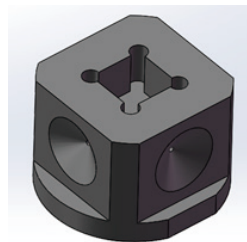
SAC-SH11
Film sample holder



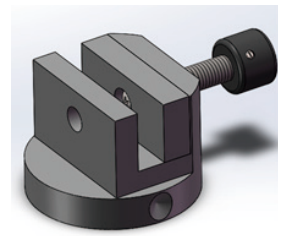
SAC-SH12A
Powder sample holder



SAC-SH15
Cuvette sample holder
(fluorescence)



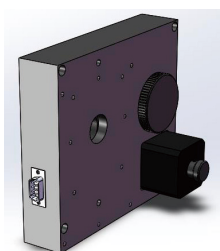
SAC-SH13
Cuvette sample holder



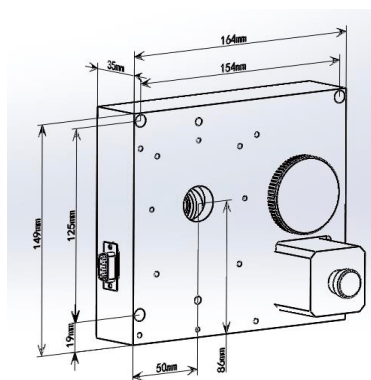
SAC-SH14
Transmission sample holder

Motorized Filter Wheels

The SD25 six position filter wheel holds up to six 25mm diameter filters (aperture 22mm). For the automatic filter wheel, stepping motor drives the compact filter wheel via the monochromator/spectrograph controller. The SD25 filter wheel is fully compatible with the Omni-λ series monochromators/spectrographs.

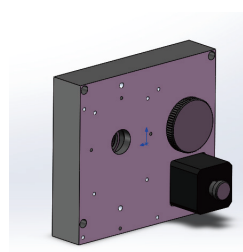


SD25 series

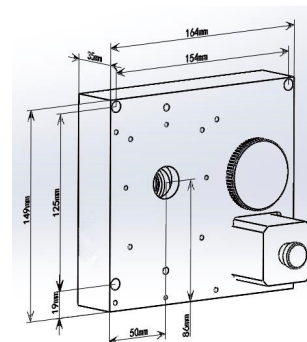


Features

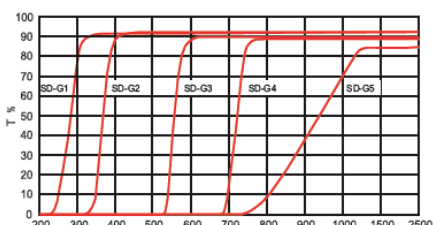
- Six Position Stepping Motor Controlled Filter Wheel
- Accommodates 25mm diameter filters (option)
- Integrates with Omni-λ Monochromator/Spectrograph and Software



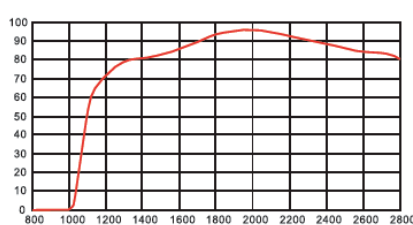
SD25-R series



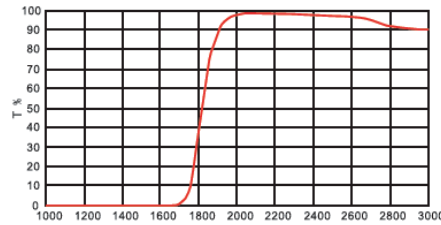
Filter Spectral Transmittance Curves



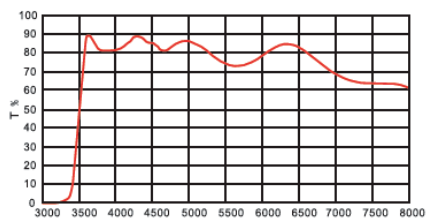
SD-G1(~5)-25



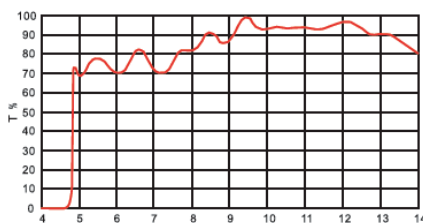
SD-G6-25



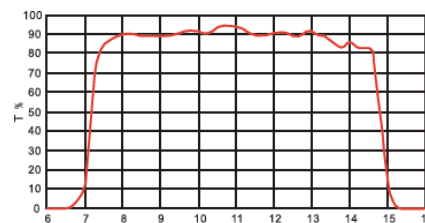
SD-G7-25



SD-G8-25



SD-G9-25



SD-G10-25

Selections

Model	Model	Spectral Range			Filter#				
		(nm)	NO.1	NO.2	NO.3	NO.4	NO.5	NO.6	
SD25	SD25-R	It doesn't have filter; Please fix filters with 25mm diameter freely							
SD25-IR1	SD25-IR1-R	200-1500	none	SD-G1-25	SD-G2-25	SD-G3-25	SD-G4-25	SD-G5-25	
SD25-IR2	SD25-IR2-R	200-2000	none	SD-G1-25	SD-G2-25	SD-G3-25	SD-G4-25	SD-G6-25	
SD25-IR3	SD25-IR3-R	400-3000	none	SD-G2-25	SD-G3-25	SD-G4-25	SD-G6-25	SD-G7-25	
SD25-IR5	SD25-IR5-R	650-5000	none	SD-G3-25	SD-G4-25	SD-G6-25	SD-G7-25	SD-G8-25	
SD25-IR8	SD25-IR8-R	800-8000	none	SD-G4-25	SD-G6-25	SD-G7-25	SD-G8-25	SD-G9-25	
SD25-IR12	SD25-IR12-R	1300-12000	none	SD-G6-25	SD-G7-25	SD-G8-25	SD-G9-25	SD-G10-25	

SD25-R series is for Omni-λ200i and sample chamber SAC-FLUO only ;SD25 series is for Omni-λ300i/500i/750i

Spectroscopy Instruments